



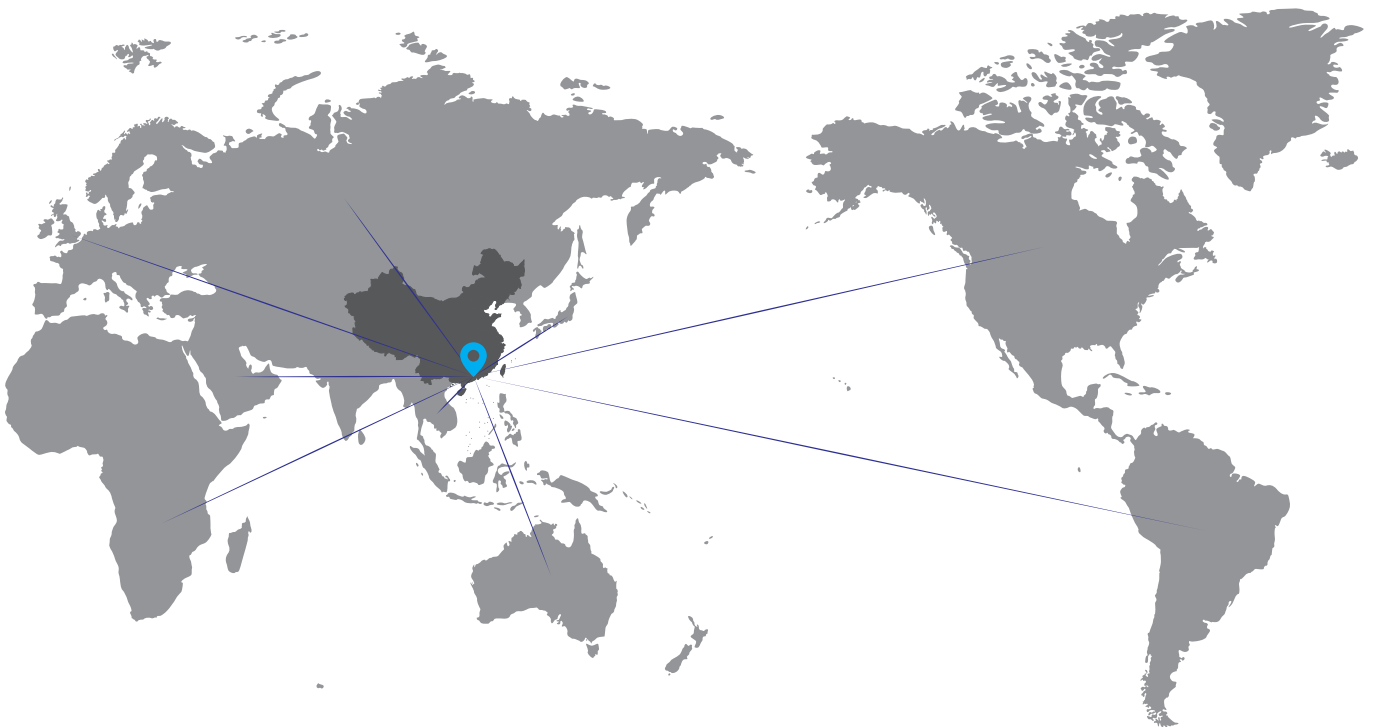
# 欧标连接器

M SERIE CONNECTOR



## 立足中国 服务全球

正成电气的销售和服务网络覆盖全球，65%以上的产品远销海外，产品广泛应用于机械制作，起重机械，机床，造纸设备，电机控制，电梯，机器人，食物及饮料，橡胶设备，陶瓷机械，印刷及包装，注塑机械，纺织机械，物流设备，电子制造，石化，新能源及其它领域。



深圳市正成电气有限公司是一家专业专注工业连接技术的企业，国家高新技术企业。公司成立于2009年深圳，公司的产品涉及欧标连接器，美标连接器，防水连接器，射频连接器，成品线束及OEM/ODM业务，为客户全面提供专业的连接解决方案。

经过多年的发展，优良的产品，丰富的产品线及极高的性价比越来越受广大客户欢迎。在无人驾驶，工业4.0的大环境下，正成产品广泛应用于风能发电，高铁，汽车制造，智能交通，智能制造等等，逐步成为国内工业连接器中坚力量。公司内部通过ISO9001体系认证及实行6S管理方针，有效地保障产品质量。

公司销售网络逐步健全，在国内主要城市都将设立办事处及世界各地建立更多的合作伙伴。“专业专注做好每一个产品”的理念，“至高品质，至诚服务”的宗旨真诚地为广大客户服务。

# 产品目录

## DIRECTORY

---

M5	10
M8	13
M9	23
M12	27
M14	50
M16	53
M23	59
7/8	64



# 咨询服务

## 正成为您提供全方位的服务

CAZN ELECTRICS PROVIDES YOU WITH A FULL RANGE OF SERVICES

我们乐于为您提供一对一的专业咨询。完善的售后体系用专业服务每一个客户。专业的售后团队，24小时专人服务，针对客户反馈的情况，及时有效的进行响应，专门成立文控中心，对每一个客户进行建档管理，实时跟踪您的需求。

We are happy to provide you with one-to-one professional consultation. Perfect after-sales system with professional service to every customer. Professional after-sales team, 24 hours dedicated service, according to the customer feedback, timely and effective response, a special document control center, for each customer file management, real-time tracking your needs.

量身定制的个性化产品，从预装配到工程服务应有尽有。

Customised products, from pre-installation to engineering services.



## 咨询服务

不论客户需要产品选型、解决方案还是售后服务，我们正成电气都以客户为中心，以“至高品质，至诚服务”为宗旨。尽所能最快时效、最优方式处理咨询和服务。

Whether customers need product selection, solutions or after-sales service, we take the customer as the center, to the "highest quality, sincere service" for the purpose. We'll do our best to deal with inquiries and services in the fastest and most efficient way.

## 在线目录选型

在线产品目录提供全面的、最新的信息，涵盖超过2000多种正成电气产品，具有中英文两种语言版本。您可以从在线目录中摸查找到相关产品信息，如技术参数、尺寸图等相关资料。只要轻轻一点就可以下载详细的产品PDF格式规格书文件。

选型网址：[www.caznlink.com](http://www.caznlink.com)

We offer the most comprehensive and up-to-date catalogue online, covering more than 2,000 electronic products, available in Both Chinese and English. You can find related product information, such as technical parameters and size drawings, from the online catalog. You can download detailed product specifications in PDF format with a single click. Website for selection: <http://www.caznlink.com/>



网络时代的到来，特别是移动网络时代的兴起。正成电气与时俱进，与客户一起分享最新前沿技术、公司动态、产品最新资讯。

With the advent of the network era, especially the rise of the mobile network era, CAZN Electric keeps pace with The Times and will share the latest cutting-edge technology, company trends and latest product information with customers.



微信公众号：[caznlink](https://www.caznlink.com)  
WECHAT OFFICIAL ACCOUNT: [caznlink](https://www.caznlink.com)

关注公众号

# 品质管理

## 严格按照ISO9001质量管理体系

STRICTLY IN ACCORDANCE WITH THE ISO9001 QUALITY MANAGEMENT SYSTEM

# 1



### 丰富经验的研发团队

正成电气从连接器的研发、模具制作到生产加工每一个环节都由资深的工程师把关，整个团队都有丰富的连接器及线束加工从业经验。

From connector research and development, mold making to production and processing, each link is controlled by senior engineers, and the whole team has rich experience in connector and wire harness processing.

# 2

### 高品质的生产检测设备

从五金加工、组装、焊接、注塑到检测，都采购先进的生产设备和检测设备，确保生产产品高品质，低不良的要求。

From hardware processing, assembly, welding, injection molding and testing, we purchase advanced production equipment and testing equipment to ensure the production of high quality products, low production defect rate requirements.



# 3



### 高素质的生产人员

随着业务高速增长，企业生产人员快速增长，公司建立完善的岗前培训、在岗深造等培训体系，打造一批高素质的生产人员。

With the rapid growth of business and the rapid growth of production personnel, we have also established a perfect pre-job training, on-the-job further education and other training systems, so as to create a group of high-quality production personnel.

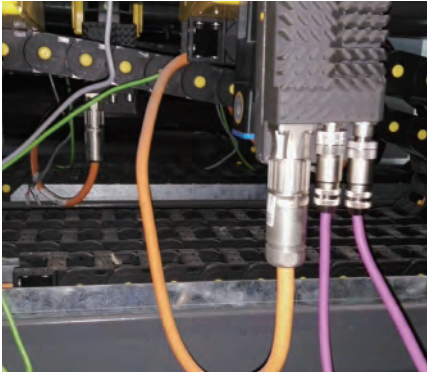
# 应用案例

专业专注提供多样的信号、数据、动力传输连接器

PROFESSIONAL FOCUS ON PROVIDING A VARIETY OF SIGNAL、DATA、POWER TRANSMISSION CONNECTORS

## 伺服电机

SERVO MOTOR



网络化、运动化的趋势，伺服电机连接方式也在升级，拖链电缆、高防护等级的连接需求应用加快。正成电气开发的M12 A、D、X、S、T类型及M17、M23系列满足各种规格电机的需求。

With the trend of networking and movement, the connection mode of servo motor is also upgraded, and the application of the connection demand of drag chain cable and high protection class is accelerated. The M12 A, D, X, S, T types and The M17, M23 series developed by CAZN Electrics meet the needs of various specifications of motors.

## 工业相机

INDUSTRIAL CAMERA



物联网IOT的发展促进了工业相机的快速发展，工业相机在工业制造、物流行业举足轻重的地位。恶劣的环境及超高的传输要求，正成开发的M12连接器更好的解决了工业相机的连接。

The development of the Internet of Things IOT has promoted the rapid development of industrial cameras, which play a pivotal role in the industrial manufacturing and logistics industries. Harsh environment and ultra-high transmission requirements, CAZN Electrics developed the M12 connector to better solve the industrial camera connection.

## 风力发电

WIND POWER GENERATION



新能源的开发利用，风力发电在近几年得到的快速发展。正成开发的M12网络连接器及MIL-C-5015系列传感器连接方案，方便解决风机监测及远程网络控制。

The development and utilization of new energy, wind power and other fields have been developed rapidly in recent years. CAZN Electrics' M12 network connector and MIL-C-5015 series sensor connection scheme are being developed to facilitate fan monitoring and remote network control.



## 无人驾驶

DRIVERLESS



最近几年无人机、无人车、巡逻机器人及无人船应用越来越广，对射频天线需求增多。螺旋天线、胶棒天线对应线束广泛使用。

Drones, unmanned vehicles, patrol robots and unmanned boats have become more widely used in recent years, and the demand for RF antennas has increased. Spiral antennas, Rubber duck antennas and their harnesses are also widely used.

## 工业4.0

INDUSTRIAL 4.0



工业4.0主要是工业网络化进程，无线网关，设备无线化管理广泛应用到射频天线，主要是胶棒天线为主。

Industry 4.0 is mainly industrial networking process, wireless gateway, wireless equipment management, widely used products are radio frequency antenna, mainly Rubber duck antenna.

## 智慧城市

SMART CITY



智慧城市的普及，交通智能化、数据采集，对视频传输及数据传输更高的要求。交通信号，视频监控等连接器及馈及大量应用。

With the popularity of smart city, traffic intelligence, data collection and other industries have higher requirements for video transmission and data transmission. Traffic signals, video surveillance and other connectors and feeder cable have also been a large number of applications.

# 协议介绍

## IO-link连接技术

IO-LINK TECHNOLOGY

标准化数据接口在工业上越来越广泛，满足了复杂生产系统的分布式控制以及日益提高的信息和数据快速交换的要求，与办公领域不同的是，工业环境应用对于连接器、连接技术以及接线提出了非常严格的要求，正成电气产品已经覆盖了目前大部分主流的网络总线协议和现场总线协议产品。

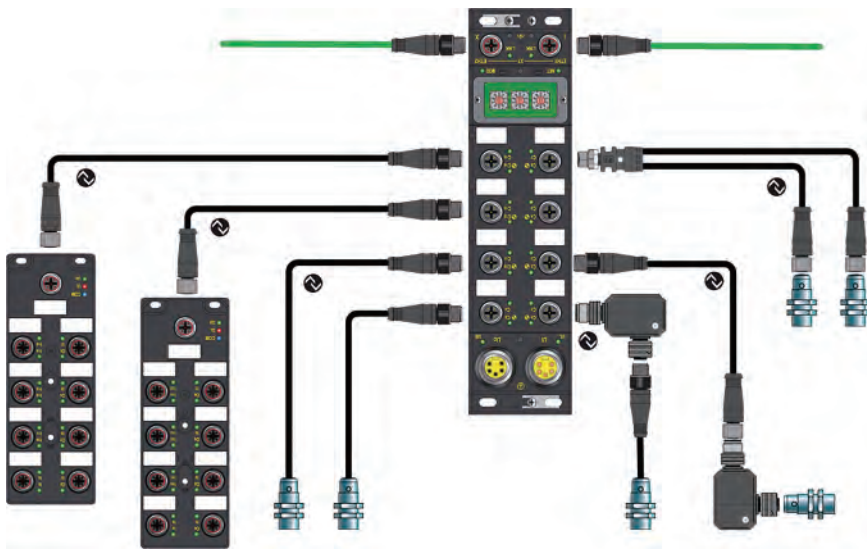
系列产品包含了组装式、预制电缆、穿板式连接、PCB板式等各种类型的全方面的安装解决方案。

Standardized data interfaces are more and more widely used in industry to meet the distributed control of complex production systems and the increasing demand for rapid exchange of information and data. Different from the office field, the industrial environment applications put forward very strict requirements for connectors, connection technology and wiring, CAZN-LINK electric products have covered most of the current mainstream network bus protocol and field bus protocol products.

The series of products include assembly, prefabricated cable, through panel mount, PCB board and other types of installation solutions in all aspects.







IO-link连接技术示意图  
Schematic diagram of IO-link connection technology

CANopen®

SERCOS  
the automation bus

EtherNet/IP™

CC-Link IE Field

CC-Link

DeviceNet™

EtherCAT®

PROFI<sup>®</sup>  
BUS

PROFI<sup>®</sup>  
NET

INTERBUS

ASI<sup>®</sup>  
INTERFACE  
SAFETY AT WORK

CAT6A  
10 Gigabit

# 连接技术

## 连接器或组件完全符合客户的规格需求

CONNECTORS OR COMPONENTS FULLY MEETS THE CUSTOMER'S SPECIFICATIONS

使用说明：连接器及其附件在正常使用情况下不允许带电或者带负载进行操作。

Instructions for use: Connectors and accessories are not allowed to be operated with power on or with load under normal use.

### 螺钉连接 SCREW CONNECTION

螺钉连接是指导线螺丝钉端子之间可拆卸的电连接方式。依据DIN/EN 60999/VDE 0609标准设计的。

Screw connection is a detachable electrical connection between the guide wire, screw, and terminal. Designed according to DIN/EN 60999/VDE 0609.

适用的导线规格范围广，不用专用的工具，可现场操作的特点。

Wide range of applicable wire specifications, no special tools, can be operated on site.

螺钉尺寸 Screw size	M2.5	M3	M3.5
扭矩(Ncm) Torque(Ncm)	40	50	60

### 焊接连接 WELDING CONNECTION

焊接连接可以导线跟导体通过电烙铁和焊机连接，也可以使连接器与印刷电路板连接。焊点和附件的测试和签定参考DIN EN 60068第2-20部分操作。

Welding connections can be wired to conductors via electro-solder irons and weld'ers, or connectors to printed circuit boards. Solder joints and accessories are tested and signed according to DIN EN 60068 part 2-20 operation.

适用于预制线缆连接，印刷电路板上，操作方便快捷，插针密度高。

Suitable for prefabricated cable connection, printed circuit board, easy and fast operation, high pin density.

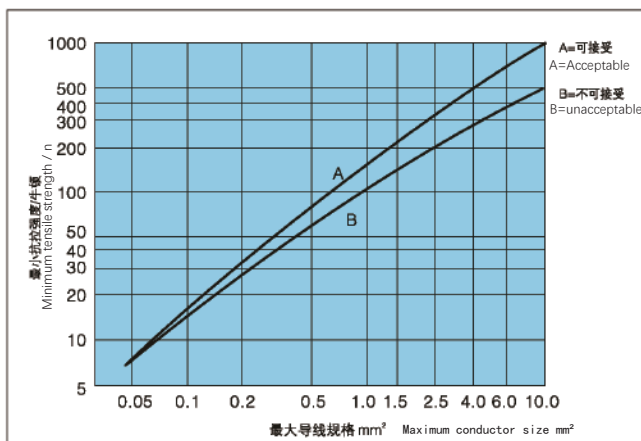
### 压接连接 CRIMP CONNECTION

压接连接是使用压接工具将导线和导体通过物理形式绞合一起的连接方式，是一种不可拆卸的电连接方式。连接要求依据DIN IEC 60352第2部分。

Crimp connection is to use crimping tools to physically twist wires and conductors together, is a non-detachable electrical connection. Connection requirements according to DIN IEC 60352 Part 2.

可适用于现场接线，可靠性高，连接密度大的特点。

Suitable for field wiring, high reliability, high connection density characteristics.



# 防水等级

## 专业防固保护及IP防水保护

PROFESSIONAL ANTI-SOLID PROTECTION AND IP WATERPROOF PROTECTION

连接器上的外壳，密封件及锁扣装置使连接器的电气部件免受外界环境影响，比如冲击、异物、湿气、灰尘、水或清洁剂、冷却液、油等其它液体的入侵。

The housing, seals and latching devices on the connector protect the electrical part of the connector from external environmental influences such as shock, foreign bodies, moisture, dust, water or detergents, coolants, oils and other liquids.

下面是防护等级一览表 BELOW IS A LIST OF PROTECTION LEVELS



数字 Protection Level	保护范围 First Digit: Solids Protection	数字 Protection Level	保护范围 Second Digit: Moisture Protection
0	无安全防护：无接触保护，无防固体异物保护。 Not rated for protection against contact or ingress (or no rating supplied).	0	无防水保护。 Not rated (or no rating supplied) for protection against ingress of this type.
1	防大件异物保护：防止手部大面积接触，防止直径大于50mm的异物。 Protection against solid objects larger than 50 mm (e.g. accidental contact with any large surface of the body, but not deliberate body contact).	1	防滴水保护：防止垂直滴落的水滴。 Protection against vertically dripping water. No harmful effects when the item is upright.
2	防中等大小异物保护：防止手指接触，防止直径大于12.5mm的异物。 Protection against solid objects larger than 12 mm (e.g. accidental finger contact).	2	防倾斜滴水保护：防止倾斜滴落的水滴（在垂直面15°以内的任意角度）。 Protection against vertically dripping water. No harmful effects when tilted up to 15° from normal position.
3	防小件异物保护：防止工具，铁丝等直径大于2.5mm的物体接触，防止直径大于2.5mm的异物。 Protection against solid objects larger than 2.5 mm (e.g. tools).	3	防洒水保护：防止来自垂直面60°以内任意角度的洒水。 Protection against water sprayed directly at any angle up to 60° off vertical.
4	防颗粒状异物保护：同3中所述，防异物直径大于1mm。 Protection against solid objects larger than 1 mm (e.g. small objects such as nails, screws, insects).	4	防溅水保护：防止来自各个方向的溅水。 Protection against splashing water from any direction. No harmful effects when tested for at least 10 minutes with an oscillating spray (limited ingress permitted).
5	防灰尘沉积保护：防止接触，防止内部灰尘沉积。 Dust protected: partial protection against dust and other particulates (permitted ingress will not compromise the performance of internal components).	5	防射水保护：防止来自任意角度的冲射喷水（喷嘴）。 Protection against low-pressure jets. No harmful effects when water projected in jets from 6.3 mm nozzle, from any direction.
6	防灰尘进入保护：全面防止接触，防止灰尘进入。 Dust tight: full protection against dust and other particulates.	6	防强烈喷水保护：防止暂时性的淹水。 Protection against powerful water jets. No harmful effects when water projected in jets from 12.5 mm nozzle, from any direction.
		7	防浸水保护：防止暂时性的浸水。 Protection against full immersion at up to 1 meter depth for up to 30 minutes. Limited ingress permitted with no harmful effects.
		8	防潜水保护：防止长时间浸没时加压水进入。 Protection against immersion beyond 1 meter. Equipment is suitable for continuous immersion in water. The manufacturer may specify conditions.

# 订货规则

## 全新客户定制编号规则

NEW CUSTOM NUMBERING RULES

M12 - P 8 A - G W A P7 - 1 PV -S

### 系列号(Serie):

M5、M8、M9、M12、M16、M623、M923、7/8等  
M5、M8、M9、M12、M16、M623、M923、7/8.ect

### 公母(Male & Female):

P: 针型 S: 孔型  
P: Male type S: Female type

### 芯数(Contacts number):

2、3、4、5、6、7、8、12、14、16、17、19、21、24等  
2、3、4、5、6、7、8、12、14、16、17、19、21、24.ect

### 接口型号(Code):

A、B、C、D、K、L、M、S、T、Y、X等  
A、B、C、D、K、L、M、S、T、Y、X.ect

### 材质(Material quality):

G: 金属插座/插头(Metal socket/plug)  
P: 塑料插座/插头(Plastic socket/plug)  
M: 成型式插头(Formed plug)

### 接线方式(Connection):

W: 焊接(Welding)  
P: 插接(Insertion)  
S: 贴片(Patch)  
L: 螺钉(Screw)  
C: 压接(Crimping)  
T: 通孔(Through-hole)

### 结构(Structure):

A: 直式插头(Straight plug)  
D: 弯式插头(Curved plug)  
B: 板前安装插座(Installation socket in front of the board)  
F: 板后安装插座(Installing sockets behind the board)  
H: 方形法兰插座(Square flange socket)  
L: 弯针插座(Curved pin socket)  
S: 贴片式插座(SMD socket)  
O: 终端电阻插头(Terminal resistor plug)

### 屏蔽(Shield):

-S: 有屏蔽  
空: 无屏蔽  
-S: Shielded  
Empty: No shielding

### 线材(Cable material):

PV: PVC  
PU: 包含TPU和PUR(TUP and PUR)  
TF: 铁氟龙(PTFE)  
PE: PE

### 线长(Cable length):

以(M)米为单位  
In (M) meters

### 尾部出线口与板端螺口:

(Tail outlet & Plate end screw mouth):  
O8:  $\phi$  8mm  
P7: PG7  
M12: M12  
.....等

# M5系列 M5 SERIE

产品芯数：3、4芯

Pins number: 3-4 pins

插头：带电缆长度可任意定制

Plug: The length of cable can be customized

插座：板前安装 板后安装焊线及PCB板式

Socket: Front Mount Solder Type, Back Mount Solder Type and PCB board type

防水等级：IP65 IP67

Waterproof grade: IP65 IP67


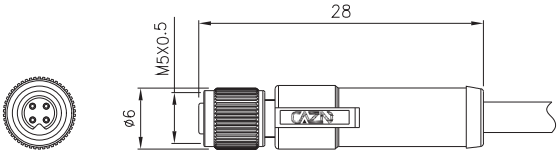

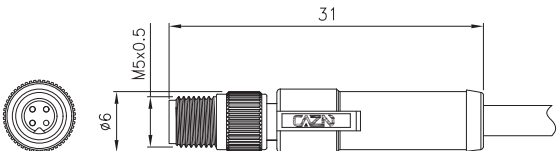

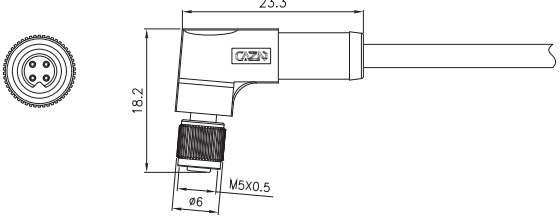

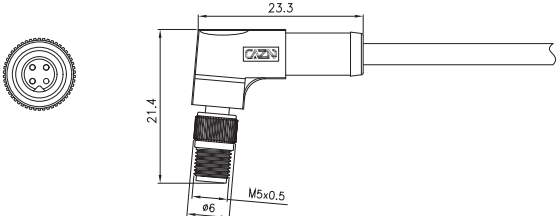

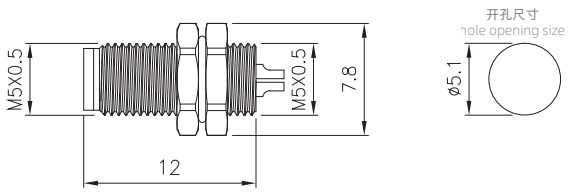

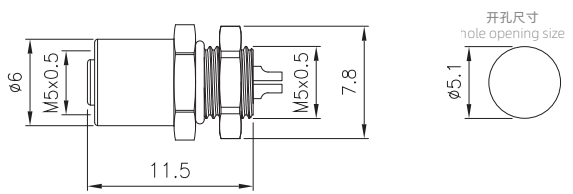

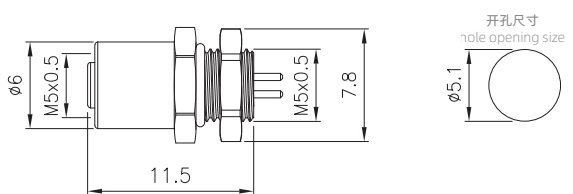

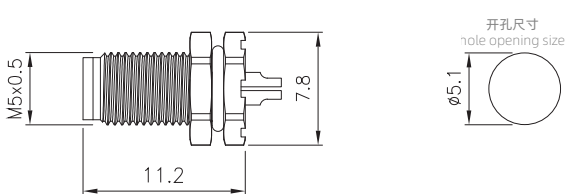
产品符合IEC 61076-2-105标准

The products comply with IEC 61076-2-105 standard



## 产品参数 PRODUCT PARAMETERS

壳体材料 Shell material	黄铜镀镍 Brass nickel plated	接触阻抗 Contact impedance	$\leq 3m\Omega$
密封材料 Sealing material	环氧树脂/橡胶 Epoxy resin/Rubber	插拔次数 Durability	$\geq 500$ 次(Cycles)
插针材料 Contact material	磷铜镀金/黄铜镀金 Phosphorus copper gold-plated/Brass copper gold-plated	绝缘阻抗 Insulation impedance	$\geq 100M\Omega$
胶芯材料 Insulator material	PA66	适用温度 Applicable temperature	-25°C ~ +85°C
成型材料 Molding material	TPU/PVC		

产品图 PRODUCT FIGURE	名称/类型号 NAME/TYPE NO.	尺寸图 DIMENSIONS
	<p><b>直式孔型成型插头</b> M5 Straight Female Overmolded Plug</p> <p>M5 - S 3 - MWA - 1 PV</p> <p>芯数: 3 4</p> <p>线长(M): 1:1M, 2.5:2.5M, ...</p> <p>线材: PV/PVC, PU/PU, TF-铁氟龙, PE-PE</p>	
	<p><b>直式针型成型插头</b> M5 Straight Male Overmolded Plug</p> <p>M5 - P 3 - MWA - 1 PV</p> <p>芯数: 3 4</p> <p>线长(M): 1:1M, 2.5:2.5M, ...</p> <p>线材: PV/PVC, PU/PU, TF-铁氟龙, PE-PE</p>	
	<p><b>弯式孔型成型插头</b> M5 Angled Female Overmolded Plug</p> <p>M5 - S 3 - MWD - 1 PV</p> <p>芯数: 3 4</p> <p>线长(M): 1:1M, 2.5:2.5M, ...</p> <p>线材: PV/PVC, PU/PU, TF-铁氟龙, PE-PE</p>	
	<p><b>弯式针型成型插头</b> M5 Angled Male Overmolded Plug</p> <p>M5 - P 3 - MWD - 1 PV</p> <p>芯数: 3 4</p> <p>线长(M): 1:1M, 2.5:2.5M, ...</p> <p>线材: PV/PVC, PU/PU, TF-铁氟龙, PE-PE</p>	
	<p><b>板前安装针型插座 焊线式 螺牙M5x0.5</b> M5 Male Front Mount Socket (Solder, Screw M5x0.5)</p> <p>M5 - P 3 - GWB M5</p> <p>芯数: 3 4</p>	
	<p><b>板前安装孔型插座 焊线式</b> M5 Female Front Mount Socket (Solder)</p> <p>M5 - S 3 - GWB M5</p> <p>芯数: 3 4</p>	
	<p><b>板前安装孔型插座 插板式</b> M5 Female Front Mount Socket (PCB)</p> <p>M5 - S 3 - GPB M5</p> <p>芯数: 3 4</p>	
	<p><b>板后安装针型插座 焊线式</b> M5 Male Back Mount Socket (Solder)</p> <p>M5 - P 3 - GWF M5</p> <p>芯数: 3 4</p>	

产品图 PRODUCT FIGURE	名称/型号 NAME/TYPE NO.	尺寸图 DIMENSIONS
	板后安装针型插座 插板式 M5 Male Back Mount Socket (PCB)  M5 - P 3 - GPF M5 	 M5x0.5 11.2 7.8 开孔尺寸 hole opening size $\phi 5.1$
	板后安装孔型插座 焊线式 M5 Female Back Mount Socket (Solder)  M5 - S 3 - GWF M7 	 M7x0.75 M5x0.5 11.5 9.6 开孔尺寸 hole opening size $\phi 7.1$
	板后安装孔型插座 插板式 M5 Female Back Mount Socket (PCB)  M5 - S 3 - GPF M7 	 M7x0.75 M5x0.5 11.5 9.6 开孔尺寸 hole opening size $\phi 7.1$

## M5·电气参数 M5 ELECTRICAL PARAMETERS

芯数 Pins	针型 Male	额定电流 Rated current	额定电压 Rated voltage		导体规格 Conductor size		孔型 Female
			A/C	D/C	AWG	mm <sup>2</sup>	
3		1A	60V	60V	26	0.14	
4		1A	60V	60V	26	0.14	

## M5·焊板式芯位图 M5 PCB PINS ARRANGEMENT

芯数 Pins	3	4	芯数 Pins	3	4
针型 Male			孔型 Female		

## M5·接线定义 M5 WIRE DEFINITION

芯位 Pins	线芯颜色 Wire core color		芯位 Pins	线芯颜色 Wire core color	
	3芯(Pins)			4芯(Pins)	
1	BN		1	BN	
2	-		2	WH	
3	BU		3	BU	
4	BK		4	BK	

\*接线定义按常规标准，  
如按协议或者其他请联系我司业务。  
Wiring definition according to conventional standards,  
if according to the agreement or other please contact our sales.

# M8系列 M8 SERIE

产品芯数：3、4、5、6、8芯

Pins Number: 3 4 5 6 8 pins

大部分连接器360°全屏蔽

Most connectors are excellent for full shielding at 360 degrees

插头：组装式，注塑带电缆式（长度可任意定制）

Plug: assembly, Overmolded cable type (length can be customized at will)

插座：板前安装、板后安装焊线及PCB板式

Socket: Front Mount Solder Type, Back Mount Solder Type and PCB board type

防水等级：IP65、IP67

Waterproof grade: Ip65 IP67

产品符合IEC 61076-2-104标准


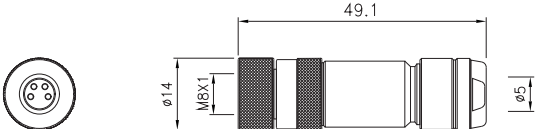

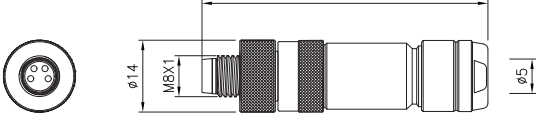

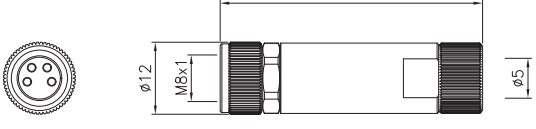

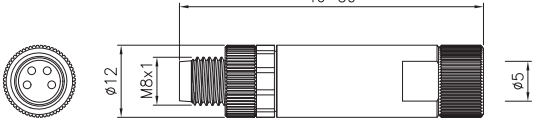

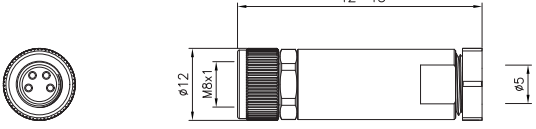

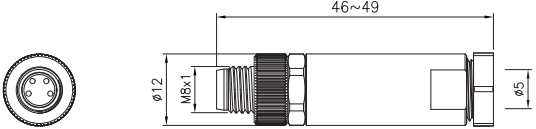

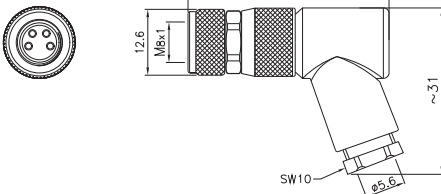

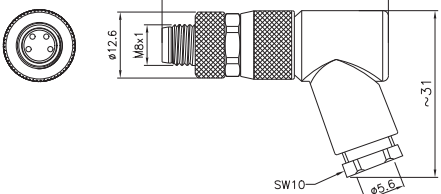
Products comply with IEC 61076-2-104 standard


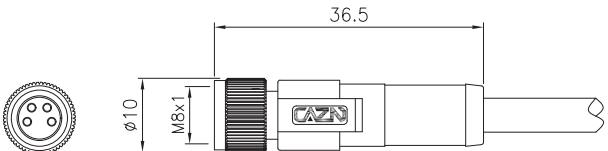



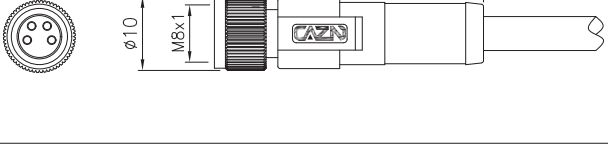

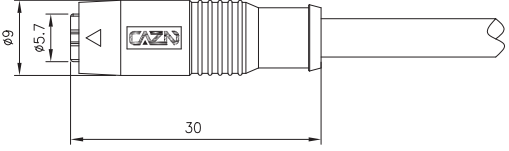

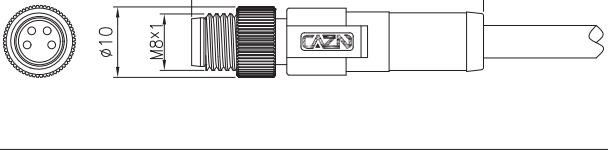

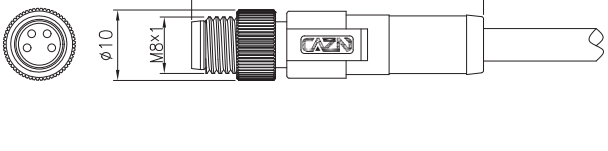

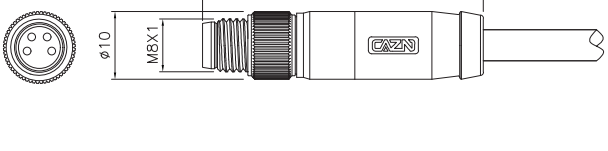

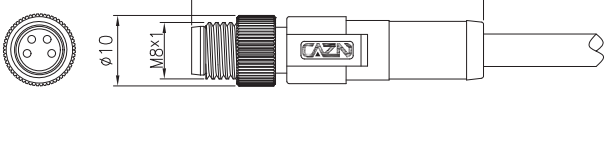



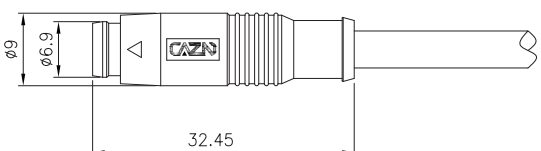

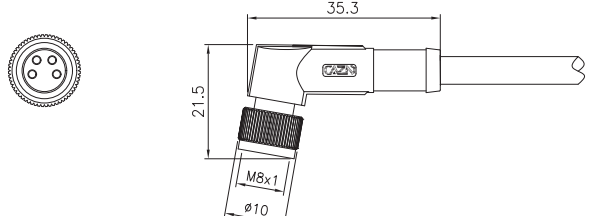

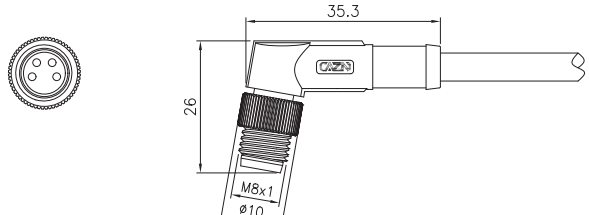

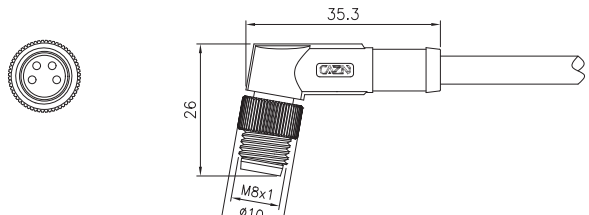

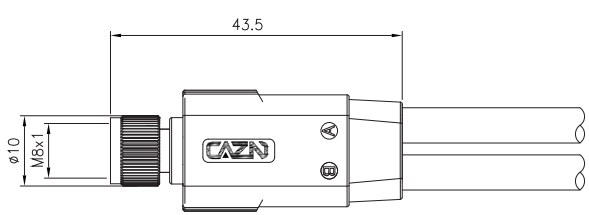

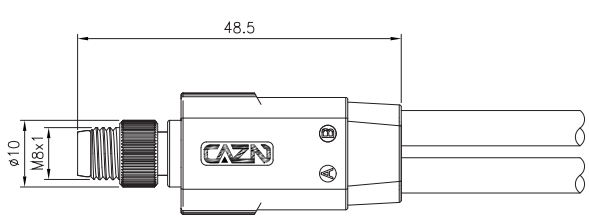

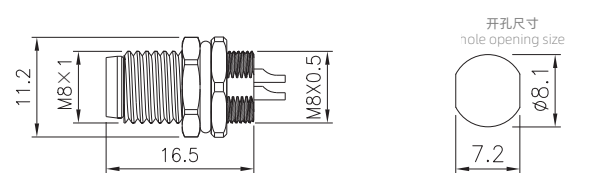

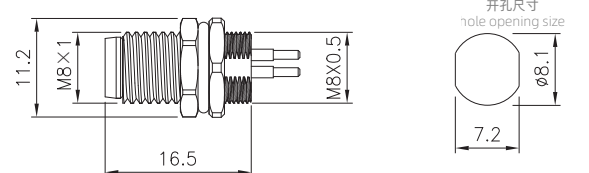
## 产品参数 PRODUCT PARAMETERS

壳体材料 Shell material	锌合金镀镍/黄铜镀镍 Brass nickel-plated/Zinc alloy nickel-plated	接触阻抗 Contact impedance	≤5mΩ
密封材料 Sealing material	环氧树脂/橡胶 Epoxy resin/Rubber	插拔次数 Durability	≥500次(Cycles)
插针材料 Contact material	黄铜/磷铜镀金 Brass/Phosphorus copper gold-plated	绝缘阻抗 Insulation impedance	≥100MΩ
胶芯材料 Insulator material	PA66	适用温度 Applicable temperature	-25°C ~ +80°C
成型材料 Molding material	TPU/PVC		


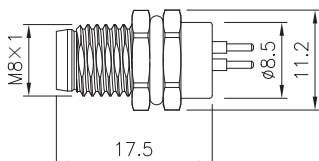
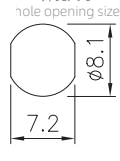

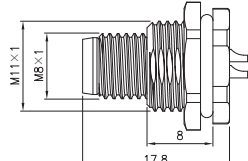
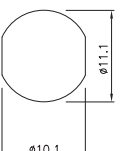

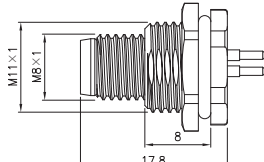
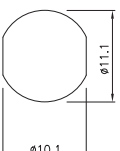

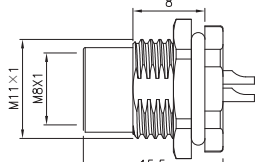
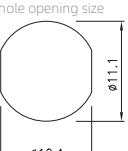

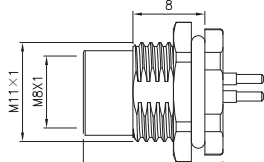
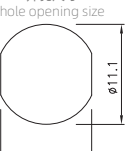

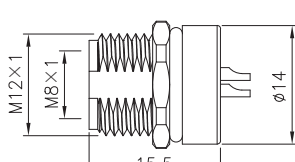
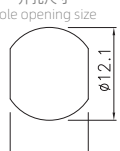

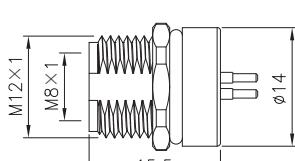
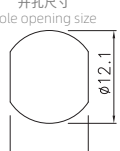

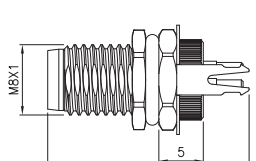
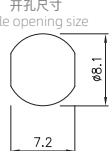



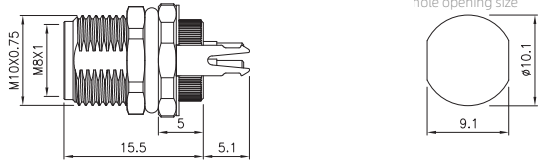

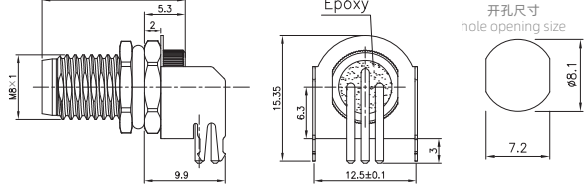

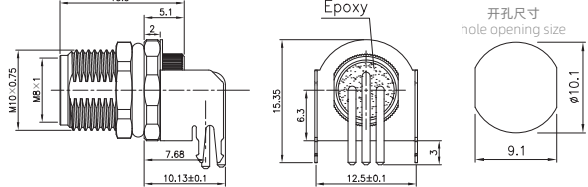

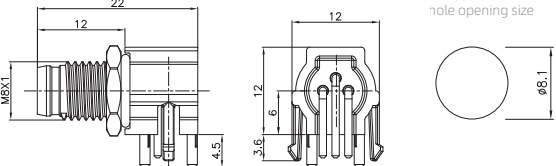

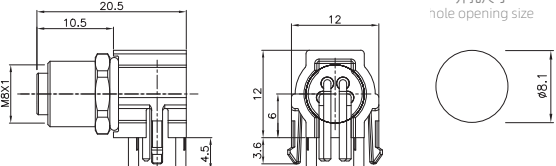

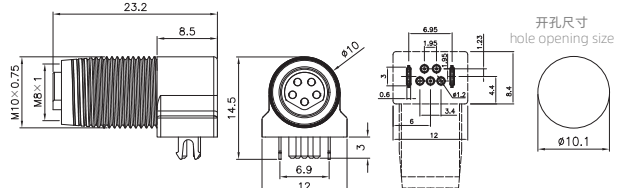

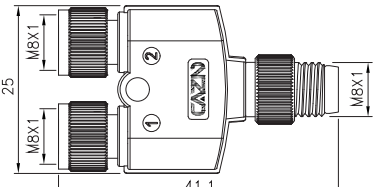

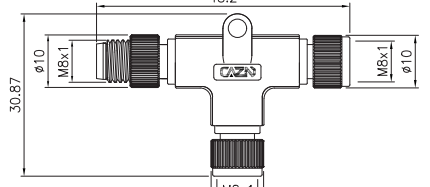
产品图 PRODUCT FIGURE	名称/类型号 NAME/TYPE No.	尺寸图 DIMENSIONS
	<p>直式孔型金属组装式插头 螺钉式 M8 Straight Female Metal Assembled Plug (Screw terminal)</p> <p>M8 - S 3A - GLA 05</p> <p>芯数: A: 3A 4A</p>	
	<p>直式针型金属组装式插头 螺钉式 M8 Straight Male Metal Assembled Plug (Screw terminal)</p> <p>M8 - P 3A - GLA 05</p> <p>芯数: A: 3A 4A</p>	
	<p>直式孔型塑胶组装式插头 螺钉式 M8 Straight Female Metal Assembled Plug (Screw terminal)</p> <p>M8 - S 3A - PLA 05 - GM</p> <p>芯数: A: 3A 4A</p>	
	<p>直式针型塑胶组装式插头 螺钉式 M8 Straight Male Metal Assembled Plug (Screw terminal)</p> <p>M8 - P 3A - PLA 05 - GM</p> <p>芯数: A: 3A 4A</p>	
	<p>直式孔型塑胶组装式插头 螺钉式 M8 Straight Female Plastic Assembled Plug (Screw terminal)</p> <p>M8 - S 3A - PLA 05</p> <p>芯数: A: 3A 4A</p>	
	<p>直式针型塑胶组装式插头 螺钉式 M8 Straight Male Plastic Assembled Plug (Screw terminal)</p> <p>M8 - P 3A - PLA 05</p> <p>芯数: A: 3A 4A</p>	
	<p>弯式孔型塑胶组装式插头 螺钉式 M8 Angled Female Plastic Assembled Plug (Screw terminal)</p> <p>M8 - S 3A - PLD 05</p> <p>芯数: A: 3A 4A</p>	
	<p>弯式针型塑胶组装式插头 螺钉式 M8 Angled Male Plastic Assembled Plug (Screw terminal)</p> <p>M8 - P 3A - PLD 05</p> <p>芯数: A: 3A 4A</p>	

产品图 PRODUCT FIGURE	名称/类型号 NAME/TYPE No.	尺寸图 DIMENSIONS																				
 <p>非屏蔽款/Unshielded 屏蔽款/Shielded</p>	<p><b>直式孔型成型插头</b> M8 Straight Female Overmolded Plug</p> <p>M8 - S 3A - MWA - 1 PV - S</p> <table border="1" data-bbox="526 280 750 366"> <tr> <td>芯数:</td> <td>线长(M):</td> <td>线材:</td> <td>S:屏蔽</td> </tr> <tr> <td>A: 3A 4A</td> <td>1:1M</td> <td>PV:PVC</td> <td>空:非屏蔽</td> </tr> <tr> <td>6A 8A</td> <td>2.5:2.5M</td> <td>PU:PU</td> <td></td> </tr> <tr> <td>B: 5B</td> <td>.....</td> <td>TF:铁氟龙</td> <td></td> </tr> <tr> <td>D: 4D</td> <td></td> <td>PE:PE</td> <td></td> </tr> </table>	芯数:	线长(M):	线材:	S:屏蔽	A: 3A 4A	1:1M	PV:PVC	空:非屏蔽	6A 8A	2.5:2.5M	PU:PU		B: 5B	.....	TF:铁氟龙		D: 4D		PE:PE		 <p>36.5</p> <p>ø10</p> <p>M8x1</p>
芯数:	线长(M):	线材:	S:屏蔽																			
A: 3A 4A	1:1M	PV:PVC	空:非屏蔽																			
6A 8A	2.5:2.5M	PU:PU																				
B: 5B	.....	TF:铁氟龙																				
D: 4D		PE:PE																				
 <p>非屏蔽款/Unshielded 屏蔽款/Shielded</p>	<p><b>直式孔型成型插头 阻尼款</b> M8 Straight Female Overmolded Plug (with damping)</p> <p>M8 - S 3A - MWA - 1 PV - S - AM</p> <table border="1" data-bbox="526 517 750 603"> <tr> <td>芯数:</td> <td>线长(M):</td> <td>线材:</td> <td>S:屏蔽</td> </tr> <tr> <td>A: 3A 4A</td> <td>1:1M</td> <td>PV:PVC</td> <td>空:非屏蔽</td> </tr> <tr> <td>6A 8A</td> <td>2.5:2.5M</td> <td>PU:PU</td> <td></td> </tr> <tr> <td>B: 5B</td> <td>.....</td> <td>TF:铁氟龙</td> <td></td> </tr> <tr> <td>D: 4D</td> <td></td> <td>PE:PE</td> <td></td> </tr> </table>	芯数:	线长(M):	线材:	S:屏蔽	A: 3A 4A	1:1M	PV:PVC	空:非屏蔽	6A 8A	2.5:2.5M	PU:PU		B: 5B	.....	TF:铁氟龙		D: 4D		PE:PE		 <p>35.7</p> <p>ø10</p> <p>M8x1</p>
芯数:	线长(M):	线材:	S:屏蔽																			
A: 3A 4A	1:1M	PV:PVC	空:非屏蔽																			
6A 8A	2.5:2.5M	PU:PU																				
B: 5B	.....	TF:铁氟龙																				
D: 4D		PE:PE																				
 <p>非屏蔽款/Unshielded 屏蔽款/Shielded</p>	<p><b>直式孔型成型插头 LED款</b> M8 Straight Female Overmolded Plug (LED)</p> <p>M8 - S 3A - MWA - 1 PV - LP2</p> <table border="1" data-bbox="526 754 750 840"> <tr> <td>芯数:</td> <td>线长(M):</td> <td>线材:</td> <td>灯数:</td> </tr> <tr> <td>A: 3A 4A</td> <td>1:1M</td> <td>PV:PVC</td> <td>LP2: 2灯PNP</td> </tr> <tr> <td></td> <td>2.5:2.5M</td> <td>PU:PU</td> <td>LN2: 2灯NPN</td> </tr> <tr> <td></td> <td>.....</td> <td>TF:铁氟龙</td> <td>LP3: 3灯PNP</td> </tr> <tr> <td></td> <td></td> <td>PE:PE</td> <td>LN3: 3灯NPN</td> </tr> </table>	芯数:	线长(M):	线材:	灯数:	A: 3A 4A	1:1M	PV:PVC	LP2: 2灯PNP		2.5:2.5M	PU:PU	LN2: 2灯NPN		.....	TF:铁氟龙	LP3: 3灯PNP			PE:PE	LN3: 3灯NPN	 <p>36.5</p> <p>ø10</p> <p>M8x1</p>
芯数:	线长(M):	线材:	灯数:																			
A: 3A 4A	1:1M	PV:PVC	LP2: 2灯PNP																			
	2.5:2.5M	PU:PU	LN2: 2灯NPN																			
	.....	TF:铁氟龙	LP3: 3灯PNP																			
		PE:PE	LN3: 3灯NPN																			
 <p>非屏蔽款/Unshielded 屏蔽款/Shielded</p>	<p><b>直式孔型成型插头 快插款</b> M8 Straight Female Overmolded Plug (Push-pull)</p> <p>M8 - S 3A - MWA - 1 PV - KC</p> <table border="1" data-bbox="526 991 750 1078"> <tr> <td>芯数:</td> <td>线长(M):</td> <td>线材:</td> </tr> <tr> <td>A: 3A 4A</td> <td>1:1M</td> <td>PV:PVC</td> </tr> <tr> <td>B: 5B</td> <td>2.5:2.5M</td> <td>PU:PU</td> </tr> <tr> <td></td> <td>.....</td> <td>TF:铁氟龙</td> </tr> <tr> <td></td> <td></td> <td>PE:PE</td> </tr> </table>	芯数:	线长(M):	线材:	A: 3A 4A	1:1M	PV:PVC	B: 5B	2.5:2.5M	PU:PU		.....	TF:铁氟龙			PE:PE	 <p>ø9</p> <p>ø5.7</p> <p>30</p>					
芯数:	线长(M):	线材:																				
A: 3A 4A	1:1M	PV:PVC																				
B: 5B	2.5:2.5M	PU:PU																				
	.....	TF:铁氟龙																				
		PE:PE																				
 <p>非屏蔽款/Unshielded 屏蔽款/Shielded</p>	<p><b>直式针型成型插头</b> M8 Straight Male Overmolded Plug</p> <p>M8 - P 3A - MWA - 1 PV - S</p> <table border="1" data-bbox="526 1207 750 1293"> <tr> <td>芯数:</td> <td>线长(M):</td> <td>线材:</td> <td>S:屏蔽</td> </tr> <tr> <td>A: 3A 4A</td> <td>1:1M</td> <td>PV:PVC</td> <td>空:非屏蔽</td> </tr> <tr> <td>6A 8A</td> <td>2.5:2.5M</td> <td>PU:PU</td> <td></td> </tr> <tr> <td>B: 5B</td> <td>.....</td> <td>TF:铁氟龙</td> <td></td> </tr> <tr> <td>D: 4D</td> <td></td> <td>PE:PE</td> <td></td> </tr> </table>	芯数:	线长(M):	线材:	S:屏蔽	A: 3A 4A	1:1M	PV:PVC	空:非屏蔽	6A 8A	2.5:2.5M	PU:PU		B: 5B	.....	TF:铁氟龙		D: 4D		PE:PE		 <p>41.4</p> <p>ø10</p> <p>M8x1</p>
芯数:	线长(M):	线材:	S:屏蔽																			
A: 3A 4A	1:1M	PV:PVC	空:非屏蔽																			
6A 8A	2.5:2.5M	PU:PU																				
B: 5B	.....	TF:铁氟龙																				
D: 4D		PE:PE																				
 <p>非屏蔽款/Unshielded 屏蔽款/Shielded</p>	<p><b>直式针型成型插头 金属口款</b> M8 Straight Male Overmolded Plug (Metal interface)</p> <p>M8 - P 3A - MWA - 1 PV - S - GK</p> <table border="1" data-bbox="526 1444 750 1530"> <tr> <td>芯数:</td> <td>线长(M):</td> <td>线材:</td> <td>S:屏蔽</td> </tr> <tr> <td>A: 3A 4A</td> <td>1:1M</td> <td>PV:PVC</td> <td>空:非屏蔽</td> </tr> <tr> <td>6A 8A</td> <td>2.5:2.5M</td> <td>PU:PU</td> <td></td> </tr> <tr> <td>B: 5B</td> <td>.....</td> <td>TF:铁氟龙</td> <td></td> </tr> <tr> <td>D: 4D</td> <td></td> <td>PE:PE</td> <td></td> </tr> </table>	芯数:	线长(M):	线材:	S:屏蔽	A: 3A 4A	1:1M	PV:PVC	空:非屏蔽	6A 8A	2.5:2.5M	PU:PU		B: 5B	.....	TF:铁氟龙		D: 4D		PE:PE		 <p>41.4</p> <p>ø10</p> <p>M8x1</p>
芯数:	线长(M):	线材:	S:屏蔽																			
A: 3A 4A	1:1M	PV:PVC	空:非屏蔽																			
6A 8A	2.5:2.5M	PU:PU																				
B: 5B	.....	TF:铁氟龙																				
D: 4D		PE:PE																				
 <p>非屏蔽款/Unshielded 屏蔽款/Shielded</p>	<p><b>直式针型成型插头 阻尼款</b> M8 Straight Male Overmolded Plug (with damping)</p> <p>M8 - P 3A - MWA - 1 PV - S - AM</p> <table border="1" data-bbox="526 1681 750 1767"> <tr> <td>芯数:</td> <td>线长(M):</td> <td>线材:</td> <td>S:屏蔽</td> </tr> <tr> <td>A: 3A 4A</td> <td>1:1M</td> <td>PV:PVC</td> <td>空:非屏蔽</td> </tr> <tr> <td>6A 8A</td> <td>2.5:2.5M</td> <td>PU:PU</td> <td></td> </tr> <tr> <td>B: 5B</td> <td>.....</td> <td>TF:铁氟龙</td> <td></td> </tr> <tr> <td>D: 4D</td> <td></td> <td>PE:PE</td> <td></td> </tr> </table>	芯数:	线长(M):	线材:	S:屏蔽	A: 3A 4A	1:1M	PV:PVC	空:非屏蔽	6A 8A	2.5:2.5M	PU:PU		B: 5B	.....	TF:铁氟龙		D: 4D		PE:PE		 <p>41.5</p> <p>ø10</p> <p>M8x1</p>
芯数:	线长(M):	线材:	S:屏蔽																			
A: 3A 4A	1:1M	PV:PVC	空:非屏蔽																			
6A 8A	2.5:2.5M	PU:PU																				
B: 5B	.....	TF:铁氟龙																				
D: 4D		PE:PE																				
 <p>非屏蔽款/Unshielded 屏蔽款/Shielded</p>	<p><b>直式针型成型插头 LED款</b> M8 Straight Male Overmolded Plug (LED)</p> <p>M8 - P 3A - MWA - 1 PV - LP2</p> <table border="1" data-bbox="526 1918 750 2005"> <tr> <td>芯数:</td> <td>线长(M):</td> <td>线材:</td> <td>灯数:</td> </tr> <tr> <td>A: 3A 4A</td> <td>1:1M</td> <td>PV:PVC</td> <td>LP2: 2灯PNP</td> </tr> <tr> <td></td> <td>2.5:2.5M</td> <td>PU:PU</td> <td>LN2: 2灯NPN</td> </tr> <tr> <td></td> <td>.....</td> <td>TF:铁氟龙</td> <td>LP3: 3灯PNP</td> </tr> <tr> <td></td> <td></td> <td>PE:PE</td> <td>LN3: 3灯NPN</td> </tr> </table>	芯数:	线长(M):	线材:	灯数:	A: 3A 4A	1:1M	PV:PVC	LP2: 2灯PNP		2.5:2.5M	PU:PU	LN2: 2灯NPN		.....	TF:铁氟龙	LP3: 3灯PNP			PE:PE	LN3: 3灯NPN	 <p>41.4</p> <p>ø10</p> <p>M8x1</p>
芯数:	线长(M):	线材:	灯数:																			
A: 3A 4A	1:1M	PV:PVC	LP2: 2灯PNP																			
	2.5:2.5M	PU:PU	LN2: 2灯NPN																			
	.....	TF:铁氟龙	LP3: 3灯PNP																			
		PE:PE	LN3: 3灯NPN																			

产品图 PRODUCT FIGURE	名称/类型号 NAME/TYPE No.	尺寸图 DIMENSIONS																				
	<p><b>直式针型成型插头 快插款</b> M8 Straight Male Overmolded Plug (Push-pull)</p> <p>M8 - P 3A - MWA - 1 PV - KC</p> <table border="1" data-bbox="518 280 702 355"> <tr> <td>芯数:</td> <td>线长(M):</td> <td>线材:</td> </tr> <tr> <td>A: 3A 4A</td> <td>1:1M</td> <td>PV:PVC</td> </tr> <tr> <td>B: 5B</td> <td>2.5:2.5M</td> <td>PU:PU</td> </tr> <tr> <td></td> <td>.....</td> <td>TF:铁氟龙</td> </tr> <tr> <td></td> <td></td> <td>PE:PE</td> </tr> </table>	芯数:	线长(M):	线材:	A: 3A 4A	1:1M	PV:PVC	B: 5B	2.5:2.5M	PU:PU		.....	TF:铁氟龙			PE:PE	 <p>Dimensions: <math>\phi 9</math>, <math>\phi 6.9</math>, 32.45</p>					
芯数:	线长(M):	线材:																				
A: 3A 4A	1:1M	PV:PVC																				
B: 5B	2.5:2.5M	PU:PU																				
	.....	TF:铁氟龙																				
		PE:PE																				
<p>非屏蔽款/Unshielded 屏蔽款/Shielded</p> 	<p><b>弯式孔型成型插头</b> M8 Angled Female Overmolded Plug</p> <p>M8 - S 3A - MWD - 1 PV - S</p> <table border="1" data-bbox="518 517 742 592"> <tr> <td>芯数:</td> <td>线长(M):</td> <td>线材:</td> <td>S:屏蔽</td> </tr> <tr> <td>A: 3A 4A</td> <td>1:1M</td> <td>PV:PVC</td> <td>空:非屏蔽</td> </tr> <tr> <td>6A 8A</td> <td>2.5:2.5M</td> <td>PU:PU</td> <td></td> </tr> <tr> <td>B: 5B</td> <td>.....</td> <td>TF:铁氟龙</td> <td></td> </tr> <tr> <td>D: 4D</td> <td></td> <td>PE:PE</td> <td></td> </tr> </table>	芯数:	线长(M):	线材:	S:屏蔽	A: 3A 4A	1:1M	PV:PVC	空:非屏蔽	6A 8A	2.5:2.5M	PU:PU		B: 5B	.....	TF:铁氟龙		D: 4D		PE:PE		 <p>Dimensions: 35.3, 21.5, <math>\phi 10</math>, M8x1</p>
芯数:	线长(M):	线材:	S:屏蔽																			
A: 3A 4A	1:1M	PV:PVC	空:非屏蔽																			
6A 8A	2.5:2.5M	PU:PU																				
B: 5B	.....	TF:铁氟龙																				
D: 4D		PE:PE																				
<p>非屏蔽款/Unshielded 屏蔽款/Shielded</p> 	<p><b>弯式针型成型插头</b> M8 Angled Male Overmolded Plug</p> <p>M8 - P 3A - MWD - 1 PV - S</p> <table border="1" data-bbox="518 754 742 830"> <tr> <td>芯数:</td> <td>线长(M):</td> <td>线材:</td> <td>S:屏蔽</td> </tr> <tr> <td>A: 3A 4A</td> <td>1:1M</td> <td>PV:PVC</td> <td>空:非屏蔽</td> </tr> <tr> <td>6A 8A</td> <td>2.5:2.5M</td> <td>PU:PU</td> <td></td> </tr> <tr> <td>B: 5B</td> <td>.....</td> <td>TF:铁氟龙</td> <td></td> </tr> <tr> <td>D: 4D</td> <td></td> <td>PE:PE</td> <td></td> </tr> </table>	芯数:	线长(M):	线材:	S:屏蔽	A: 3A 4A	1:1M	PV:PVC	空:非屏蔽	6A 8A	2.5:2.5M	PU:PU		B: 5B	.....	TF:铁氟龙		D: 4D		PE:PE		 <p>Dimensions: 35.3, 26, <math>\phi 10</math>, M8x1</p>
芯数:	线长(M):	线材:	S:屏蔽																			
A: 3A 4A	1:1M	PV:PVC	空:非屏蔽																			
6A 8A	2.5:2.5M	PU:PU																				
B: 5B	.....	TF:铁氟龙																				
D: 4D		PE:PE																				
<p>非屏蔽款/Unshielded 屏蔽款/Shielded</p> 	<p><b>弯式针型成型插头 金属口款</b> M8 Angled Male Overmolded Plug (Metal interface)</p> <p>M8 - P 3A - MWD - 1 PV - S - GK</p> <table border="1" data-bbox="518 991 742 1067"> <tr> <td>芯数:</td> <td>线长(M):</td> <td>线材:</td> <td>S:屏蔽</td> </tr> <tr> <td>A: 3A 4A</td> <td>1:1M</td> <td>PV:PVC</td> <td>空:非屏蔽</td> </tr> <tr> <td>B: 5B</td> <td>2.5:2.5M</td> <td>PU:PU</td> <td></td> </tr> <tr> <td></td> <td>.....</td> <td>TF:铁氟龙</td> <td></td> </tr> <tr> <td></td> <td></td> <td>PE:PE</td> <td></td> </tr> </table>	芯数:	线长(M):	线材:	S:屏蔽	A: 3A 4A	1:1M	PV:PVC	空:非屏蔽	B: 5B	2.5:2.5M	PU:PU			.....	TF:铁氟龙				PE:PE		 <p>Dimensions: 35.3, 26, <math>\phi 10</math>, M8x1</p>
芯数:	线长(M):	线材:	S:屏蔽																			
A: 3A 4A	1:1M	PV:PVC	空:非屏蔽																			
B: 5B	2.5:2.5M	PU:PU																				
	.....	TF:铁氟龙																				
		PE:PE																				
<p>非屏蔽款/Unshielded 屏蔽款/Shielded</p> 	<p><b>一分二孔型成型插头</b> M8 Female 1 to 2 Overmolded Plug</p> <p>M8 - S 3A - MWA - 1 PV - S - 1T2</p> <table border="1" data-bbox="518 1228 742 1304"> <tr> <td>芯数:</td> <td>线长(M):</td> <td>线材:</td> <td>S:屏蔽</td> </tr> <tr> <td>A: 3A 4A</td> <td>1:1M</td> <td>PV:PVC</td> <td>空:非屏蔽</td> </tr> <tr> <td>6A 8A</td> <td>2.5:2.5M</td> <td>PU:PU</td> <td></td> </tr> <tr> <td>B: 5B</td> <td>.....</td> <td>TF:铁氟龙</td> <td></td> </tr> <tr> <td></td> <td></td> <td>PE:PE</td> <td></td> </tr> </table>	芯数:	线长(M):	线材:	S:屏蔽	A: 3A 4A	1:1M	PV:PVC	空:非屏蔽	6A 8A	2.5:2.5M	PU:PU		B: 5B	.....	TF:铁氟龙				PE:PE		 <p>Dimensions: 43.5, <math>\phi 10</math>, M8x1</p>
芯数:	线长(M):	线材:	S:屏蔽																			
A: 3A 4A	1:1M	PV:PVC	空:非屏蔽																			
6A 8A	2.5:2.5M	PU:PU																				
B: 5B	.....	TF:铁氟龙																				
		PE:PE																				
<p>非屏蔽款/Unshielded 屏蔽款/Shielded</p> 	<p><b>一分二针型成型插头</b> M8 Male 1 to 2 Overmolded Plug</p> <p>M8 - P 3A - MWA - 1 PV - S - 1T2</p> <table border="1" data-bbox="518 1466 742 1541"> <tr> <td>芯数:</td> <td>线长(M):</td> <td>线材:</td> <td>S:屏蔽</td> </tr> <tr> <td>A: 3A 4A</td> <td>1:1M</td> <td>PV:PVC</td> <td>空:非屏蔽</td> </tr> <tr> <td>6A 8A</td> <td>2.5:2.5M</td> <td>PU:PU</td> <td></td> </tr> <tr> <td>B: 5B</td> <td>.....</td> <td>TF:铁氟龙</td> <td></td> </tr> <tr> <td></td> <td></td> <td>PE:PE</td> <td></td> </tr> </table>	芯数:	线长(M):	线材:	S:屏蔽	A: 3A 4A	1:1M	PV:PVC	空:非屏蔽	6A 8A	2.5:2.5M	PU:PU		B: 5B	.....	TF:铁氟龙				PE:PE		 <p>Dimensions: 48.5, <math>\phi 10</math>, M8x1</p>
芯数:	线长(M):	线材:	S:屏蔽																			
A: 3A 4A	1:1M	PV:PVC	空:非屏蔽																			
6A 8A	2.5:2.5M	PU:PU																				
B: 5B	.....	TF:铁氟龙																				
		PE:PE																				
	<p><b>板前安装针型插座 焊线式 螺牙M8*0.5</b> M8 Male Front Mount Socket (Solder, Screw M8*0.5)</p> <p>M8 - P 3A - GWB M8</p> <table border="1" data-bbox="518 1703 582 1778"> <tr> <td>芯数:</td> </tr> <tr> <td>A: 3A 4A</td> </tr> <tr> <td>6A 8A</td> </tr> <tr> <td>B: 5B</td> </tr> <tr> <td>D: 4D</td> </tr> </table>	芯数:	A: 3A 4A	6A 8A	B: 5B	D: 4D	 <p>Dimensions: 11.2, 16.5, M8x1, M8x0.5, 开孔尺寸 hole opening size: <math>\phi 8.1</math>, 7.2</p>															
芯数:																						
A: 3A 4A																						
6A 8A																						
B: 5B																						
D: 4D																						
	<p><b>板前安装针型插座 插板式 螺牙M8*0.5</b> M8 Male Front Mount Socket (PCB, Screw M8*0.5)</p> <p>M8 - P 3A - GPB M8</p> <table border="1" data-bbox="518 1951 582 2026"> <tr> <td>芯数:</td> </tr> <tr> <td>A: 3A 4A</td> </tr> <tr> <td>6A 8A</td> </tr> <tr> <td>B: 5B</td> </tr> <tr> <td>D: 4D</td> </tr> </table>	芯数:	A: 3A 4A	6A 8A	B: 5B	D: 4D	 <p>Dimensions: 11.2, 16.5, M8x1, M8x0.5, 开孔尺寸 hole opening size: <math>\phi 8.1</math>, 7.2</p>															
芯数:																						
A: 3A 4A																						
6A 8A																						
B: 5B																						
D: 4D																						

产品图 PRODUCT FIGURE	名称/类型号 NAME/TYPE No.	尺寸图 DIMENSIONS	
	<b>板前安装针型插座</b> 焊线式 螺牙M8x0.5 金属口款 <b>M8 Male Front Mount Socket (Solder, Screw M8*0.5, Metal interface)</b>  <b>M8 - P 3A - GWB M8 - GK</b>  芯数: A: 3A 4A B: 5B		开孔尺寸 hole opening size  
	<b>板前安装针型插座</b> 插板式 螺牙M8x0.5 金属口款 <b>M8 Male Front Mount Socket (PCB, Screw M8*0.5, Metal interface)</b>  <b>M8 - P 3A - GPB M8 - GK</b>  芯数: A: 3A 4A B: 5B		开孔尺寸 hole opening size  
	<b>板前安装孔型插座</b> 焊线式 螺牙M8x0.5 <b>M8 Female Front Mount Socket (Solder, Screw M8*0.5)</b>  <b>M8 - S 3A - GWB M8</b>  芯数: A: 3A 4A 6A 8A B: 5B D: 4D		开孔尺寸 hole opening size  
	<b>板前安装孔型插座</b> 插板式 螺牙M8x0.5 <b>M8 Female Front Mount Socket (PCB, Screw M8*0.5)</b>  <b>M8 - S 3A - GPB M8</b>  芯数: A: 3A 4A 6A 8A B: 5B D: 4D		开孔尺寸 hole opening size  
	<b>板前安装孔型插座</b> 焊线式 螺牙M8x0.5 子弹型 <b>M8 Female Front Mount Socket (Solder, Screw M8*0.5, bullet type)</b>  <b>M8 - S 3A - GWB M8 - ZD</b>  芯数: A: 3A 4A 6A 8A B: 5B D: 4D		开孔尺寸 hole opening size  
	<b>板后安装针型插座</b> 焊线式 螺牙M8x1 <b>M8 Male Back Mount Socket (Solder, Screw M8*1)</b>  <b>M8 - P 3A - GWF M8</b>  芯数: A: 3A 4A 6A 8A B: 5B D: 4D		开孔尺寸 hole opening size  
	<b>板后安装针型插座</b> 插板式 螺牙M8x1 <b>M8 Male Back Mount Socket (PCB, Screw M8*1)</b>  <b>M8 - P 3A - GPF M8</b>  芯数: A: 3A 4A 6A 8A B: 5B D: 4D		开孔尺寸 hole opening size  
	<b>板后安装针型插座</b> 焊线式 螺牙M8x1 金属口款 <b>M8 Male Back Mount Socket (Solder, Screw M8*1, Metal interface)</b>  <b>M8 - P 3A - GWF M8 - GK</b>  芯数: A: 3A 4A B: 5B		开孔尺寸 hole opening size  

产品图 PRODUCT FIGURE	名称/类型号 NAME/TYPE No.	尺寸图 DIMENSIONS
	<p>板后安装针型插座 插板式 螺钉M8x1 金属口款            M8 Male Back Mount Socket (PCB, Screw M8*1, Metal interface)</p> <p>M8 - P 3A - GPF M8 - GK</p> <p>芯数:            A: 3A 4A            B: 5B</p>	 <p>开孔尺寸            hole opening size</p> 
	<p>板后安装针型插座 焊线式 螺钉M11x1            M8 Male Back Mount Socket (Solder, Screw M11*1)</p> <p>M8 - P 3A - GWF M11</p> <p>芯数:            A: 3A 4A            6A 8A            B: 5B            D: 4D</p>	 <p>开孔尺寸            hole opening size</p> 
	<p>板后安装针型插座 插板式 螺钉M11x1            M8 Male Back Mount Socket (PCB, Screw M11*1)</p> <p>M8 - P 3A - GPF M11</p> <p>芯数:            A: 3A 4A            6A 8A            B: 5B            D: 4D</p>	 <p>开孔尺寸            hole opening size</p> 
	<p>板后安装孔型插座 焊线式 螺钉M11x1            M8 Female Back Mount Socket (Solder, Screw M11*1)</p> <p>M8 - S 3A - GWF M11</p> <p>芯数:            A: 3A 4A            6A 8A            B: 5B            D: 4D</p>	 <p>开孔尺寸            hole opening size</p> 
	<p>板后安装孔型插座 插板式 螺钉M11x1            M8 Female Back Mount Socket (PCB, Screw M11*1)</p> <p>M8 - S 3A - GPF M11</p> <p>芯数:            A: 3A 4A            6A 8A            B: 5B            D: 4D</p>	 <p>开孔尺寸            hole opening size</p> 
	<p>板后安装孔型插座 焊线式 螺钉M12x1            M8 Female Back Mount Socket (Solder, Screw M12*1)</p> <p>M8 - S 3A - GWF M12</p> <p>芯数:            A: 3A 4A            6A 8A            B: 5B            D: 4D</p>	 <p>开孔尺寸            hole opening size</p> 
	<p>板后安装孔型插座 插板式 螺钉M12x1            M8 Female Back Mount Socket (PCB, Screw M12*1)</p> <p>M8 - S 3A - GPF M12</p> <p>芯数:            A: 3A 4A            6A 8A            B: 5B            D: 4D</p>	 <p>开孔尺寸            hole opening size</p> 
	<p>板后安装针型插座 插板式 螺钉M8x1 接地款            M8 Male Back Mount Socket (PCB, Screw M8*1, Grounded type)</p> <p>M8 - P 3A - GPF M8 - JD</p> <p>芯数:            A: 3A 4A            6A 8A            B: 5B            D: 4D</p>	 <p>开孔尺寸            hole opening size</p> 

产品图 PRODUCT FIGURE	名称/类型号 NAME/TYPE No.	尺寸图 DIMENSIONS
	<p><b>板后安装孔型插座</b> 插板式 螺钉M10x0.75 接地款 M8 Female Back Mount Socket (PCB, Screw M10*0.75, Grounded type)</p> <p>M8 - S 3A - GPF M10 - JD</p> <p>芯数: A: 3A 4A 6A 8A B: 5B D: 4D</p>	 <p>开孔尺寸 hole opening size</p> <p>9.1</p> <p>φ10.1</p>
	<p><b>弯针针型插座</b> 插板式 螺钉M8x1 接地款 M8 Angled Male Back Mount Socket (PCB, Screw M8*1, Grounded type)</p> <p>M8 - P 3A - GPL M8 - JD</p> <p>芯数: A: 3A 4A 6A 8A B: 5B D: 4D</p>	 <p>开孔尺寸 hole opening size</p> <p>φ8.1</p> <p>7.2</p>
	<p><b>弯针孔型插座</b> 插板式 螺钉M10x0.75 接地款 M8 Angled Female Back Mount Socket (PCB, Screw M10*0.75, Grounded type)</p> <p>M8 - S 3A - GPL M10 - JD</p> <p>芯数: A: 3A 4A 6A 8A B: 5B D: 4D</p>	 <p>开孔尺寸 hole opening size</p> <p>9.1</p> <p>φ10.1</p>
	<p><b>弯针针型插座</b> 插板式 螺钉M8x1 塑胶款 M8 Angled Male Back Mount Plastic Socket (PCB, Screw M8*1, Plastic)</p> <p>M8 - P 4A - PTL M8</p> <p>芯数: A: 3A 4A</p>	 <p>开孔尺寸 hole opening size</p> <p>φ8.1</p>
	<p><b>弯针孔型插座</b> 插板式 螺钉M8x1 塑胶款 M8 Angled Female Back Mount Plastic Socket (PCB, Screw M8*1, Plastic)</p> <p>M8 - S 4A - PTL M8</p> <p>芯数: A: 3A 4A</p>	 <p>开孔尺寸 hole opening size</p> <p>φ8.1</p>
	<p><b>弯针孔型插座</b> 插板式 螺钉M10x0.75 全塑快插款 M8 Angled Female Socket (PCB, Screw M10*0.75, Plastic Quick Insert Style)</p> <p>M8 - S 5B - PPL M10 - KC</p>	 <p>开孔尺寸 hole opening size</p> <p>φ10.1</p>
	<p><b>Y型转接器</b> PSS型 M8 Y Type Adapter (PSS)</p> <p>M8 - Y - P 3A / S 3A X2</p> <p>芯数: A: 3A 4A 6A 8A</p>	
	<p><b>T型转接器</b> PSS型 M8 T Type Adapter (PSS)</p> <p>M8 - T - P 3A / S 3A X2</p> <p>芯数: A: 3A 4A 6A 8A</p>	

产品图 PRODUCT FIGURE	名称/类型号 NAME/TYPE No.	尺寸图 DIMENSIONS
	<b>I 型转接器</b> PS型 螺母M11x1 金属款 <b>M8 I Type Adapter</b> (PS, Screw M11*, Metal Version)  <b>M8 - I - P 3A / S 3A - M11 - GA</b>  芯数: A: 3A 4A B: 5B	 开孔尺寸 hole opening size 11.1 10 7.5 18.5 29 10 M8x1 M11x1
	<b>I 型转接器</b> PS型 塑胶款 <b>M8 I Type Adapter</b> (PS, Plastic Version)  <b>M8 - I - P 3A / S 3A</b>  芯数: A: 3A 4A 6A 8A B: 5B	 49.7 10 M8x1
	<b>孔型欧姆终端插头</b> 120Ω <b>M8 Female Ohm terminal Plug</b> (120Ω)  <b>M8 - S 3A - MWO - 120 OHM</b>  芯数: A: 3A 4A 6A 8A B: 5B  阻抗(O): 120:120Ω ...	 36.5 10 M8x1
	<b>针型欧姆终端插头</b> 120Ω <b>M8 Male Ohm terminal Plug</b> (120Ω)  <b>M8 - P 3A - MWO - 120 OHM</b>  芯数: A: 3A 4A 6A 8A B: 5B  阻抗(O): 120:120Ω ...	 41.4 10 M8x1

### M8·贴片式插座配件 M8 SMD RECEPTACLE ASSEMBLY

	<b>针型贴片式插座</b> <b>M8 Male SMD Type Socket</b>  <b>M8 - P 3A - PSS</b>  芯数: A: 3A 4A 6A 8A B: 5B D: 4D	 13.3 11.8 7.4 5.7 17
	<b>孔型贴片式插座</b> <b>M8 Female SMD Type Socket</b>  <b>M8 - S 3A - PSS</b>  芯数: A: 3A 4A 6A 8A B: 5B D: 4D	 13.3 11.8 7.4 5.7 17
	<b>板前安装针型外壳</b> 螺母M10 Front Mount Male Shell (Screw M10) M8-PGBM10	
	<b>板前安装孔型外壳</b> 螺母M10 Front Mount Female Shell (Screw M10) M8-SGBM10	

## M8·防尘盖 M8 DUST COVER

M8 塑胶防尘盖 内牙 M8 Plastic Dust Cover (Inner screw)		
	环内直径 Ring inner diameter	订货号 No.
	φ 7.5mm	M8P-TV5P-7.5
M8 塑胶防尘盖 外牙 M8 Plastic Dust Cover (Outer screw)		
	环内直径 Ring inner diameter	订货号 No.
	φ 7.5mm	M8P-TV5S-7.5
M8 塑胶防尘盖 外牙 M8 Plastic Dust Cover (Outer screw)		
	环内直径 Ring inner diameter	订货号 No.
	φ M8	M8P-TV6S

M8 全金属防尘盖 内牙 M8 All-Metal Dust Cover (Inner screw)		
	环内直径 Ring inner diameter	订货号 No.
	φ 8mm	M8G-TV1P-8
	φ 10mm	M8G-TV1P-10
M8 全金属防尘盖 外牙 M8 All-Metal Dust Cover (Outer screw)		
	环内直径 Ring inner diameter	订货号 No.
	φ 8mm	M8G-TV1S-8
	φ 10mm	M8G-TV1S-10

## M8·电气参数 M8 ELECTRICAL PARAMETERS

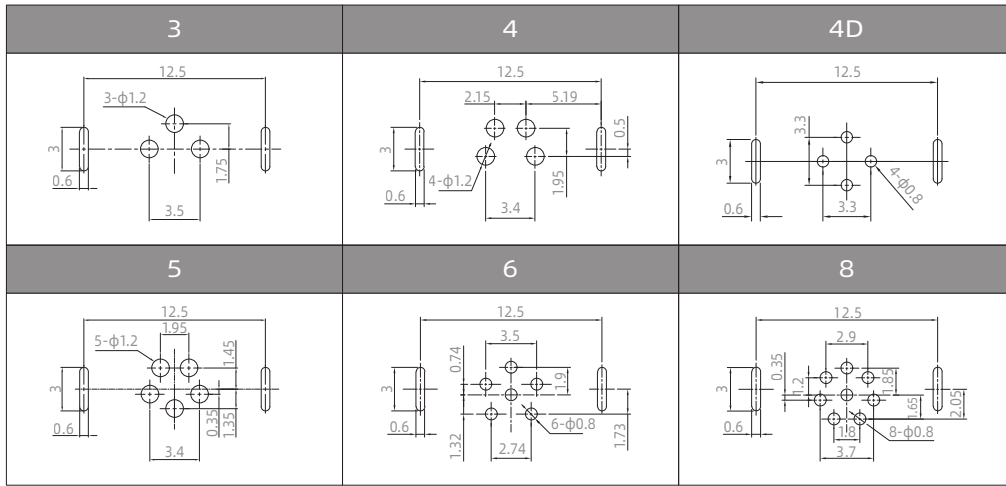
芯数 Pins	针型 Male			额定电流 Rated current	额定电压 Rated voltage		导体规格 Conductor size		孔型 Female		
	A	B	D		A/C	D/C	AWG	mm <sup>2</sup>	A	B	D
3				3A	60V	60V	24	0.25			
4				A型(A-Code): 3A D型(D-Code): 4A	A型(A-Code): 60V D型(D-Code): 48V	60V	24	0.25			
5				3A	30V	30V	24	0.25			
6				A型(A-Code): 1.5A D型(D-Code): 1.5A/3A	30V	30V	26	0.14			
8				1.5A	30V	30V	26	0.14			

## M8·焊板式芯位图 M8 PCB PINS ARRANGEMENT

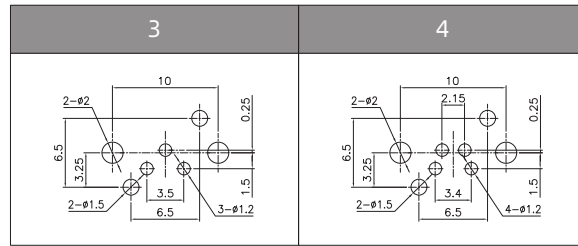
3	4	4D	5B	6	8



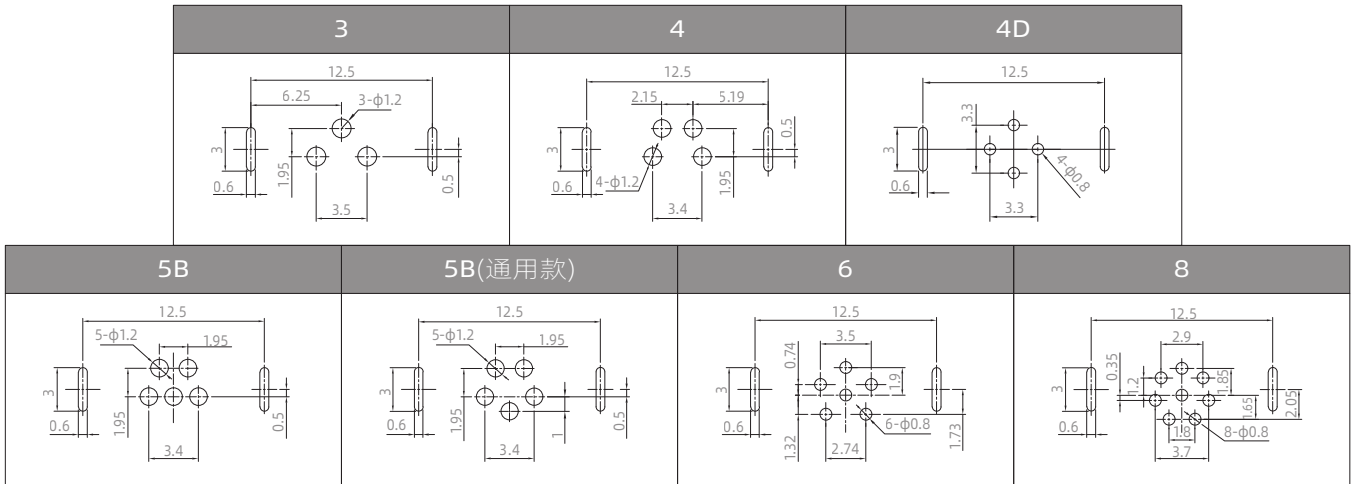
M8·焊板式直式芯位图(接地款) M8 PCB STRAIGHT PINS ARRANGEMENT (GROUNDED TYPE)



M8·焊板式弯式芯位图 M8 PCB ANGLED PINS ARRANGEMENT



M8·焊板式弯式芯位图(接地款) M8 PCB ANGLED PINS ARRANGEMENT (GROUNDED TYPE)



M8·接线定义 M8 WIRE DEFINITION

芯位 Pins	线芯颜色 Wire core color	
	3芯(Pins)	
1	BN	
2	-	
3	BU	
4	BK	

芯位 Pins	线芯颜色 Wire core color			
	4芯A编码(4 Pins A-Code)		4芯D编码(4 Pins D-Code)	
1	BN		YE	
2	WH		WH	
3	BU		OG	
4	BK		BU	

芯位 Pins	线芯颜色 Wire core color	
	8芯(Pins)	
1	WH	
2	BN	
3	GN	
4	YE	
5	GY	
6	PK	
7	BU	
8	RD	

芯位 Pins	线芯颜色 Wire core color			
	5芯A编码(5 Pins A-Code)		5芯B编码(5 Pins B-Code)	
1	BN		BN	
2	WH		WH	
3	BU		BU	
4	BK		BK	
5	GY		GY	

芯位 Pins	线芯颜色 Wire core color	
	6芯(Pins)	
1	BN	
2	WH	
3	BU	
4	BK	
5	GY	
6	PK	

\*接线定义按常规标准，如按协议或者其他请联系我司业务。  
Wiring definition according to conventional standards, if according to the agreement or other please contact our sales.

# M9系列 M9 SERIE

产品芯数：2~8芯

Pins Number: 2-8 pins

大部分连接器360°全屏蔽

Most connectors are excellent for full shielding at 360 degrees

插头：组装式，注塑带电缆式（长度可任意定制）

Plug: assembly, Overmolded cable type (length can be customized at will)

插座：板前安装、板后安装、焊线式及PCB板式

Socket: Front Mount Solder Type, Back Mount Solder Type and PCB board type


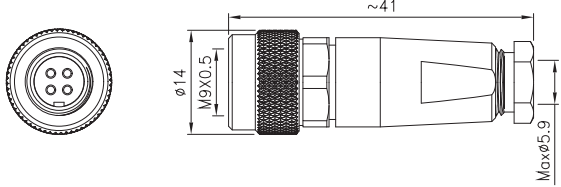

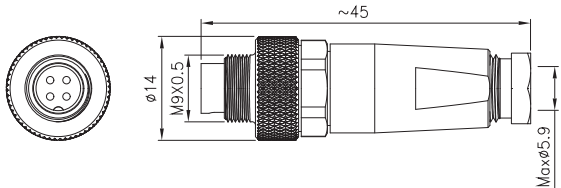

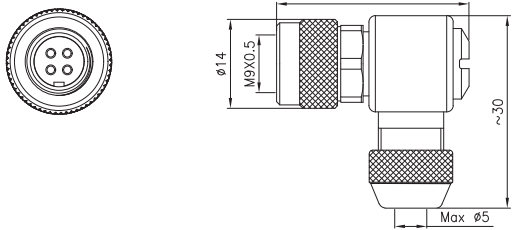

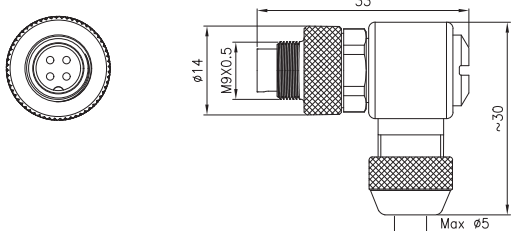

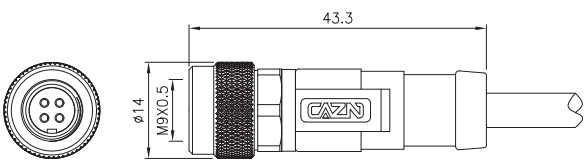

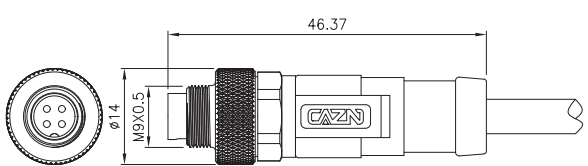

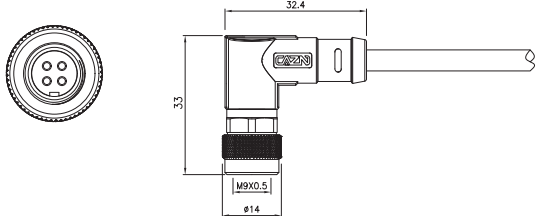
防水等级：IP65、IP67

Waterproof grade: IP65、IP67



## 产品参数 PRODUCT PARAMETERS

壳体材料 Shell material	锌合金镀镍/黄铜镀镍 Brass nickel-plated/Zinc alloy nickel-plated	接触阻抗 Contact impedance	≤3mΩ
密封材料 Sealing material	环氧树脂/橡胶 Epoxy resin/Rubber	接线范围 Wiring range	3.0~5.0mm
插针材料 Contact material	黄铜/磷铜镀金 Brass/Phosphorus copper gold-plated	绝缘阻抗 Insulation impedance	≥100MΩ
胶芯材料 Insulator material	PA66	适用温度 Applicable temperature	-25°C ~ +80°C
成型材料 Molding material	TPU/PVC		

<b>产品图</b> PRODUCT FIGURE	<b>名称/类型号</b> NAME/TYPE No.	<b>尺寸图</b> DIMENSIONS
	<b>直式孔型金属插头 焊线式</b> <b>M9 Straight Female Metal Plug (Solder)</b>  <b>M9 - S 3 - GWA 05</b> 芯数: 2345678	
	<b>直式针型金属插头 焊线式</b> <b>M9 Straight Male Metal Plug (Solder)</b>  <b>M9 - P 3 - GWA 05</b> 芯数: 2345678	
	<b>弯式孔型金属插头 焊线式</b> <b>M9 Angled Female Metal Plug (Solder)</b>  <b>M9 - S 3 - GWD 05</b> 芯数: 2345678	
	<b>弯式针型金属插头 焊线式</b> <b>M9 Angled Male Metal Plug (Solder)</b>  <b>M9 - P 3 - GWD 05</b> 芯数: 2345678	
非屏蔽款/Unshielded 屏蔽款/Shielded 	<b>直式孔型成型插头</b> <b>M9 Straight Female Overmolded Plug</b>  <b>M9 - S 3 - MWA - 1 PV - S</b> 芯数: 2345678 线长(M): 1:1M, 2.5:2.5M, ..... 线材: PV:PVC, PU:PU, TF:铁氟龙, PE:PE S:屏蔽 空:非屏蔽	
非屏蔽款/Unshielded 屏蔽款/Shielded 	<b>直式针型成型插头</b> <b>M9 Straight Male Overmolded Plug</b>  <b>M9 - P 3 - MWA - 1 PV - S</b> 芯数: 2345678 线长(M): 1:1M, 2.5:2.5M, ..... 线材: PV:PVC, PU:PU, TF:铁氟龙, PE:PE S:屏蔽 空:非屏蔽	
非屏蔽款/Unshielded 屏蔽款/Shielded 	<b>弯式孔型成型插头</b> <b>M9 Angled Female Overmolded Plug</b>  <b>M9 - S 3 - MWD - 1 PV - S</b> 芯数: 2345678 线长(M): 1:1M, 2.5:2.5M, ..... 线材: PV:PVC, PU:PU, TF:铁氟龙, PE:PE S:屏蔽 空:非屏蔽	

<b>产品图</b> PRODUCT FIGURE	<b>名称/类型号</b> NAME/TYPE No.	<b>尺寸图</b> DIMENSIONS
 <p>非屏蔽款/Unshielded 屏蔽款/Shielded</p>	<p><b>弯式针型成型插头</b> M9 Angled Male Overmolded Plug</p> <p>M9 - P 3 - MWD - 1 PV - S</p> <p>芯数: 2,3,4,5,6,7,8 线长(M): 1.1M, 2.5, 2.5M 线材: PV-PVC, PU-PU, TF-铁氟龙, PE-PE S: 屏蔽, 空-非屏蔽</p>	
	<p><b>板前安装针型插座 焊线式</b> M9 Male Front Mount Socket (Solder)</p> <p>M9 - P 3 - GWB M12</p> <p>芯数: 2,3,4,5,6,7,8</p>	 <p>开孔尺寸 hole opening size</p>
	<p><b>板前安装孔型插座 焊线式</b> M9 Male Front Mount Socket (Solder)</p> <p>M9 - S 3 - GWB M12</p> <p>芯数: 2,3,4,5,6,7,8</p>	 <p>开孔尺寸 hole opening size</p>
	<p><b>板后安装针型插座 焊线式</b> M9 Male Back Mount Socket (Solder)</p> <p>M9 - P 3 - GWF M12</p> <p>芯数: 2,3,4,5,6,7,8</p>	 <p>开孔尺寸 hole opening size</p>
	<p><b>板后安装针型插座 插板式</b> M9 Male Back Mount Socket (PCB)</p> <p>M9 - P 3 - GPF M12</p> <p>芯数: 2,3,4,5,6,7,8</p>	 <p>开孔尺寸 hole opening size</p>
	<p><b>板后安装孔型插座 焊线式</b> M9 Female Back Mount Socket (Solder)</p> <p>M9 - S 3 - GWF M12</p> <p>芯数: 2,3,4,5,6,7,8</p>	 <p>开孔尺寸 hole opening size</p>
	<p><b>板后安装孔型插座 插板式</b> M9 Female Back Mount Socket (PCB)</p> <p>M9 - S 3 - GPF M12</p> <p>芯数: 2,3,4,5,6,7,8</p>	 <p>开孔尺寸 hole opening size</p>

## M9·电气参数 M9 ELECTRICAL PARAMETERS

芯数 Pins	针型 Male	额定电流 Rated current	额定电压 Rated voltage		导体规格 Conductor size		孔型 Female
			A/C	D/C	AWG	mm <sup>2</sup>	
2		4A	125V	125V	24	0.25	
3		4A	125V	125V	24	0.25	
4		3A	125V	125V	24	0.25	
5		3A	125V	125V	24	0.25	
6		1A	125V	125V	26	0.14	
7		1A	125V	125V	26	0.14	
8		1A	125V	125V	26	0.14	

## M9·焊板式芯位图 M9 PCB PINS ARRANGEMENT

芯数 Pins	2A	3A	4A	5A	6A	7A	8A
针型 Male							
孔型 Female							

## M9·接线定义 M9 WIRE DEFINITION

芯数 Pins	线芯颜色 Wire core color	
2芯(Pins)		
1	BN	
2	BU	

芯数 Pins	线芯颜色 Wire core color	
4芯(Pins)		
1	BN	
2	WH	
3	BU	
4	BK	

芯数 Pins	线芯颜色 Wire core color	
6芯(Pins)		
1	BN	
2	WH	
3	BU	
4	BK	
5	GY	
6	PK	

芯数 Pins	线芯颜色 Wire core color	
7芯(Pins)		
1	WH	
2	BN	
3	GN	
4	YE	
5	GY	
6	PK	
7	BU	

芯数 Pins	线芯颜色 Wire core color	
8芯(Pins)		
1	WH	
2	BN	
3	GN	
4	YE	
5	GY	
6	PK	
7	BU	
8	RD	

芯数 Pins	线芯颜色 Wire core color	
3芯(Pins)		
1	BN	
2	BU	
3	BK	

芯数 Pins	线芯颜色 Wire core color	
5芯(Pins)		
1	BN	
2	WH	
3	BU	
4	BK	
5	GY	

\*接线定义按常规标准，  
如按协议或者其他请联系我司业务。  
Wiring definition according to conventional standards,  
if according to the agreement or other please contact our sales.

# M12系列 M12 SERIE

金属外壳连接器的360°全屏蔽，新款更有阻尼设计

Metal housing connector excellent 360° full shielding, new more damped design

产品符合IEC 61076-2-101 工业4.0协议，NEMA2000标准

Products comply with IEC 61076-2-101 Industry 4.0 agreement, NEMA2000 standard

插头：组装式，注塑带电缆式（长度可任意定制）

Plug: assembled type, injection molding with cable type (length can be customized)

插座：板前安装、板后安装、焊线式及PCB板式

Socket: Front Mount Solder type, Back Mount Solder type and PCB type

产品芯数：2、3、4、5、6、8、12、17芯

Number of pins: 2, 3, 4, 5, 6, 8, 12, 17 pins


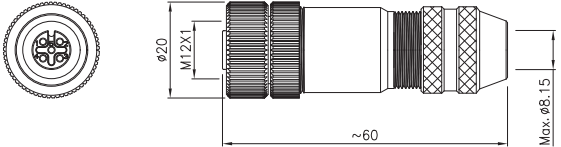

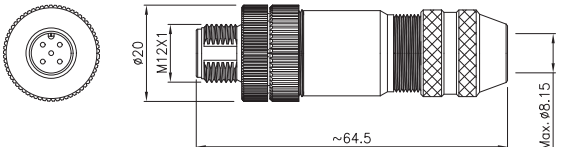

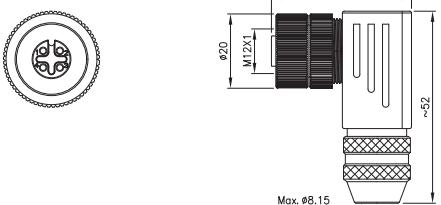

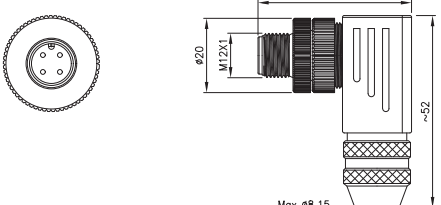

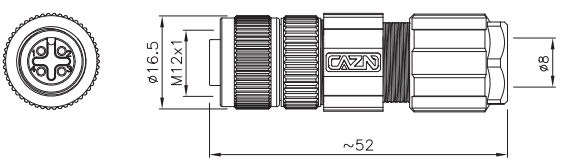

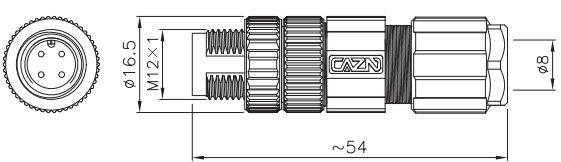

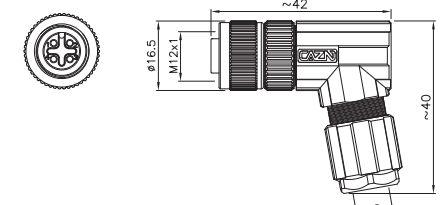

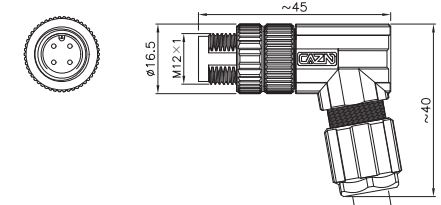
防水等级：IP65、IP67

Waterproof grade: IP65, IP67




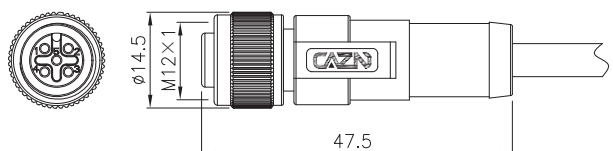

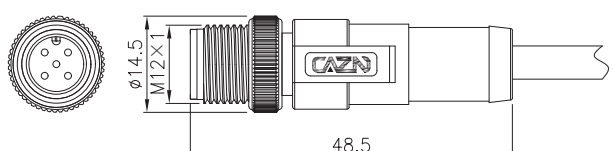

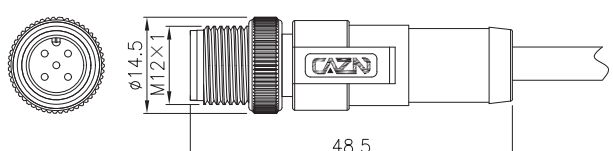

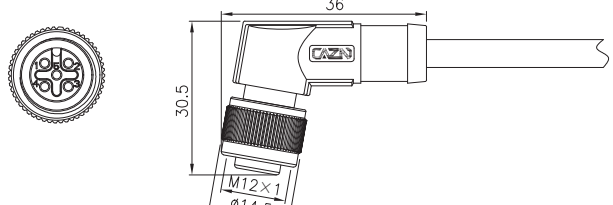

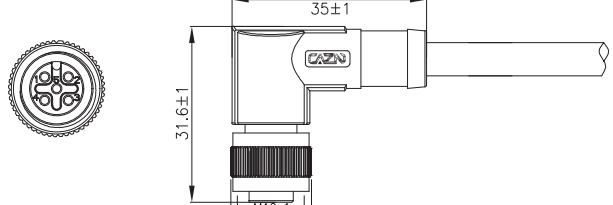
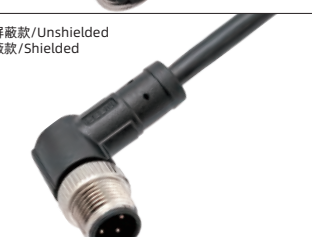
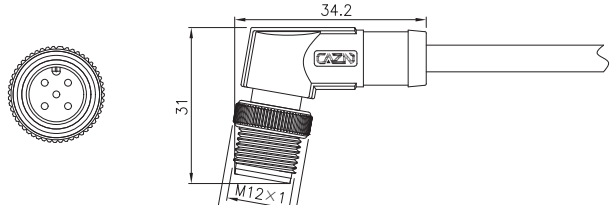

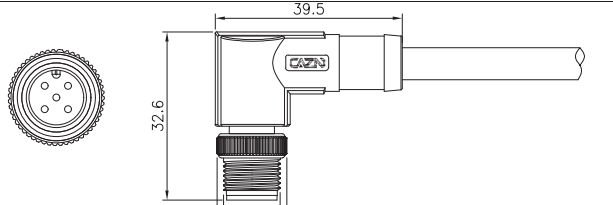

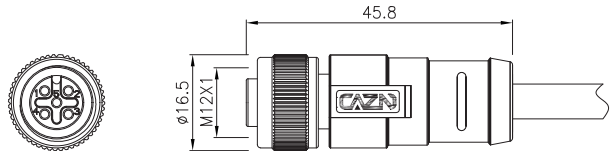
## 产品参数 PRODUCT PARAMETERS


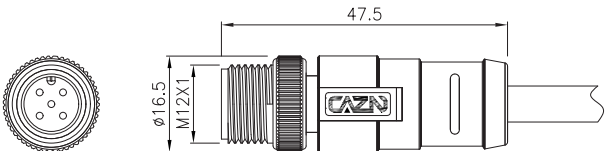

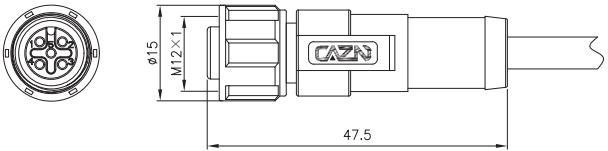

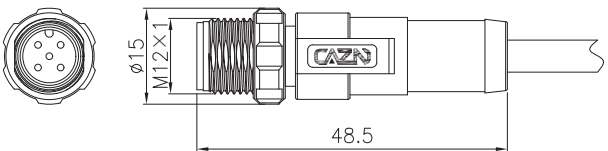

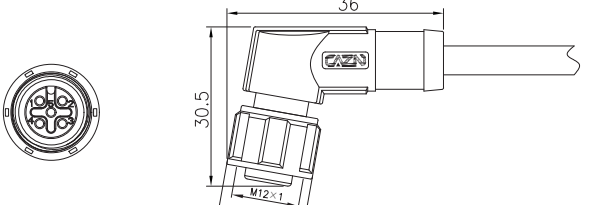

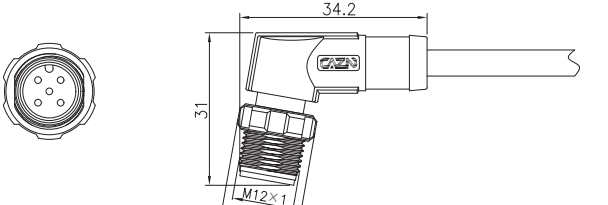

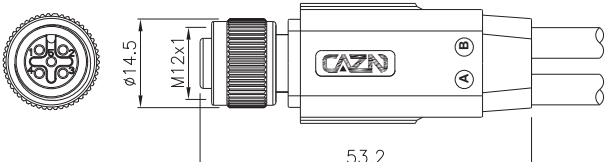

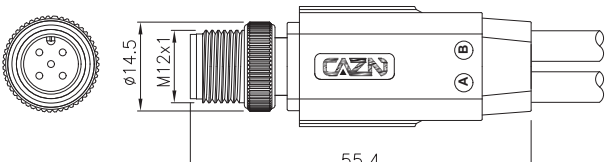

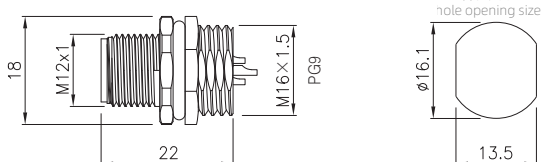
壳体材料 Shell material	黄铜镀镍/锌合金度镍/PA+GF Brass nickel-plated/Zinc alloy nickel-plated/PA-GF	接触阻抗 Contact impedance	≤5mΩ
密封材料 Sealing material	环氧树脂/橡胶 Epoxy resin/Rubber	插拔次数 Durability	≥500次(Cycles)
插针材料 Contact material	黄铜/磷铜镀金 Brass/Phosphorus copper gold-plated	执行标准 Execution standard	IEC 61076-2-101
胶芯材料 Insulator material	PA+GF/TPU	适用温度 Applicable temperature	-25°C ~ +80°C
成型材料 Molding material	TPU/PVC	防水等级 Waterproof grade	IP67


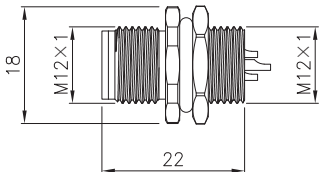

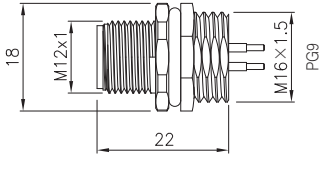

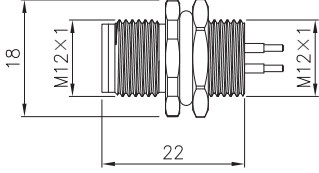

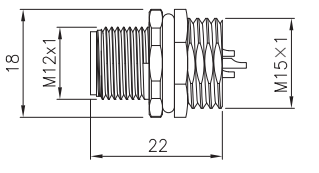

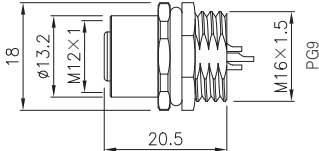

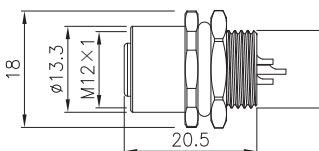

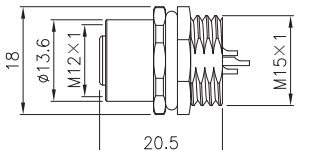

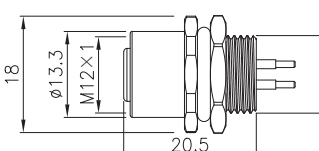
产品图 PRODUCT FIGURE	名称/类型号 NAME/TYPE No.	尺寸图 DIMENSIONS
	<p>直式孔型金属组装式插头 螺钉式 M12 Straight Female Metal Assembled Plug (Screw)</p> <p>M12 - S 3A - GLA P7</p> <p>芯数: A:2A 3A 4A 5A 6A 8A B:5B D:4D</p> <p>出线: P7:PG7 P9:PG9</p>	
	<p>直式针型金属组装式插头 螺钉式 M12 Straight Male Metal Assembled Plug (Screw)</p> <p>M12 - P 3A - GLA P7</p> <p>芯数: A:2A 3A 4A 5A 6A 8A B:5B D:4D</p> <p>出线: P7:PG7 P9:PG9</p>	
	<p>弯式孔型金属组装式插头 螺钉式 M12 Angled Female Metal Assembled Plug (Screw)</p> <p>M12 - S 3A - GLD P7</p> <p>芯数: A:2A 3A 4A 5A 6A 8A B:5B D:4D</p> <p>出线: P7:PG7 P9:PG9</p>	
	<p>弯式针型金属组装式插头 螺钉式 M12 Angled Male Metal Assembled Plug (Screw)</p> <p>M12 - P 3A - GLD P7</p> <p>芯数: A:2A 3A 4A 5A 6A 8A B:5B D:4D</p> <p>出线: P7:PG7 P9:PG9</p>	
	<p>直式孔型金属组装式插头 焊线式 M12 Straight Female Metal Assembled Plug (Solder)</p> <p>M12 - S 3A - GWA P7</p> <p>芯数: A:2A 3A 4A 5A 6A 8A 12A 17A B:5B D:4D</p>	
	<p>直式针型金属组装式插头 焊线式 M12 Straight Male Metal Assembled Plug (Solder)</p> <p>M12 - P 3A - GWA P7</p> <p>芯数: A:2A 3A 4A 5A 6A 8A 12A 17A B:5B D:4D</p>	
	<p>弯式孔型金属组装式插头 焊线式 M12 Angled Female Metal Assembled Plug (Solder)</p> <p>M12 - S 3A - GWD P7</p> <p>芯数: A:2A 3A 4A 5A 6A 8A 12A 17A B:5B D:4D</p>	
	<p>弯式针型金属组装式插头 焊线式 M12 Angled Male Metal Assembled Plug (Solder)</p> <p>M12 - P 3A - GWD P7</p> <p>芯数: A:2A 3A 4A 5A 6A 8A 12A 17A B:5B D:4D</p>	


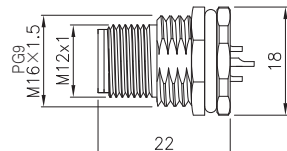
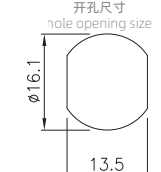

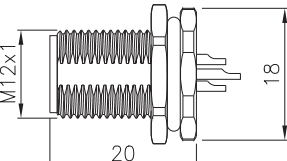
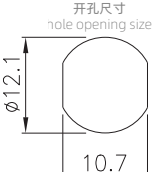

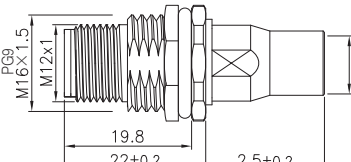
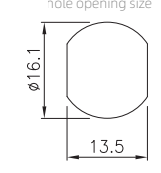

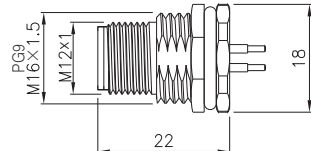
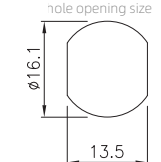

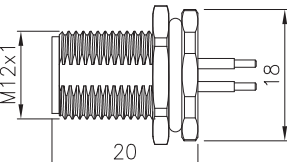
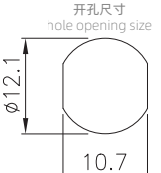

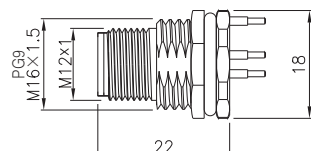
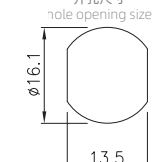

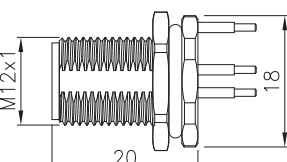
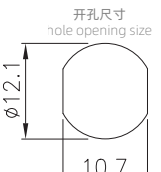

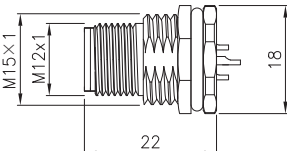
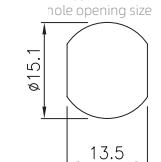
产品图 PRODUCT FIGURE	名称/类型号 NAME/TYPE No.	尺寸图 DIMENSIONS
	<p>直式孔型塑胶组装式插头 一分二式 螺钉式 M12 Straight Female Plastic Assembled Plug (One to two types, Screw)</p> <p>M12 - P 4A - PLA-1T2</p> <p>芯数: A:4A</p>	
	<p>直式孔型塑胶组装式插头 螺钉式 M12 Straight Female Plastic Assembled Plug (Screw)</p> <p>M12 - S 3A - PLA P7</p> <p>芯数: A:2A 3A 4A 5A 6A 8A</p> <p>出线: P7:PG7 P9:PG9</p>	
	<p>直式针型塑胶组装式插头 螺钉式 M12 Straight Male Plastic Assembled Plug (Screw)</p> <p>M12 - P 3A - PLA P7</p> <p>芯数: A:2A 3A 4A 5A 6A 8A</p> <p>出线: P7:PG7 P9:PG9</p>	
	<p>弯式孔型塑胶组装式插头 螺钉式 M12 Angled Female Plastic Assembled Plug (Screw)</p> <p>M12 - S 3A - PLD P7</p> <p>芯数: A:2A 3A 4A 5A 6A 8A</p> <p>出线: P7:PG7 P9:PG9</p>	
	<p>弯式针型塑胶组装式插头 螺钉式 M12 Angled Male Plastic Assembled Plug (Screw)</p> <p>M12 - P 3A - PLD P7</p> <p>芯数: A:2A 3A 4A 5A 6A 8A</p> <p>出线: P7:PG7 P9:PG9</p>	
	<p>直式孔型塑胶组装式插头 焊线式 M12 Straight Female Plastic Assembled Plug (Solder)</p> <p>M12 - S 3A - PWA P7</p> <p>芯数: A:2A 3A 4A 5A 6A 8A B:5B D:4D</p>	
	<p>直式针型塑胶组装式插头 焊线式 M12 Straight Male Plastic Assembled Plug (Solder)</p> <p>M12 - P 3A - PWA P7</p> <p>芯数: A:2A 3A 4A 5A 6A 8A B:5B D:4D</p>	
<p>非屏蔽款/Unshielded 屏蔽款/Shielded</p>	<p>直式孔型成型插头 M12 Straight Female Overmolded Plug</p> <p>M12 - S 3A - MWA - 1 PV - S</p> <p>芯数: A:2A 3A 4A 5A 6A 8A 12A 17A B:5B C:3C 4C 5C 6C D:4D</p> <p>线长(米): 1:1M 2.5:2.5M .....</p> <p>材料: PV:PVC PU:PU TF:铁氟龙 PE:PE</p> <p>S屏蔽 空:非屏蔽</p>	




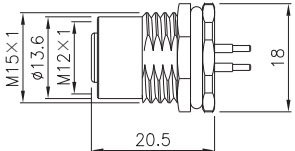
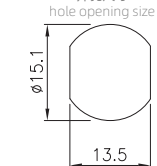
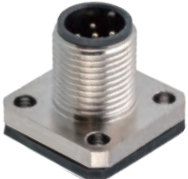
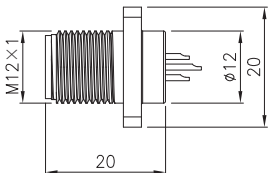
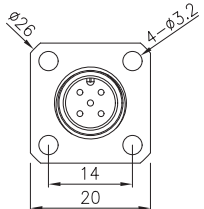

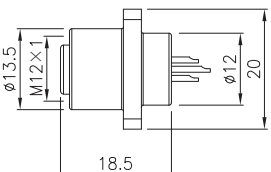
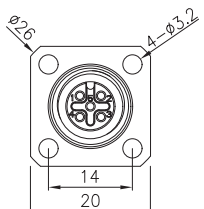

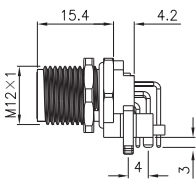
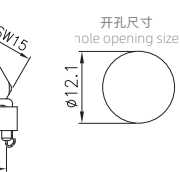

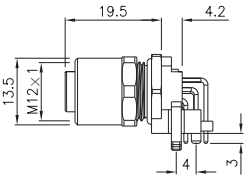
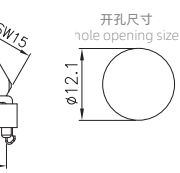

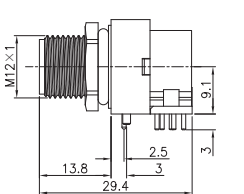
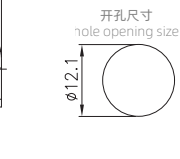

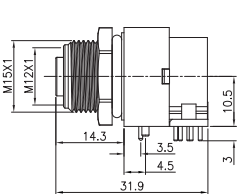
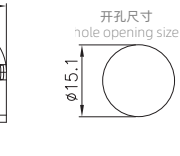

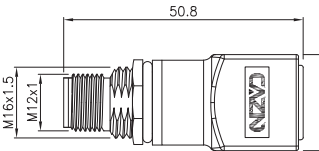
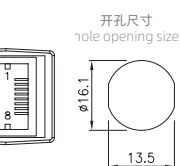
产品图 PRODUCT FIGURE	名称/类型号 NAME/TYPE No.	尺寸图 DIMENSIONS				
	<p><b>直式孔型成型插头 LED款</b> M12 Straight Female Overmolded Plug (LED)</p> <p>M12 - S 3A - MWA - 1 PV - LP2</p> <table border="1" data-bbox="526 280 790 355"> <tr> <td>芯数: A:3A 4A 5A</td> <td>线长(M): 1:1M 2.5:2.5M .....</td> <td>线材: PV:PVC PU:PU TF:铁氟龙 PE:PE</td> <td>灯数: LP2: 2XTNPN LN2: 2XTNPN LP3: 3XTNPN LN3: 3XTNPN</td> </tr> </table>	芯数: A:3A 4A 5A	线长(M): 1:1M 2.5:2.5M .....	线材: PV:PVC PU:PU TF:铁氟龙 PE:PE	灯数: LP2: 2XTNPN LN2: 2XTNPN LP3: 3XTNPN LN3: 3XTNPN	
芯数: A:3A 4A 5A	线长(M): 1:1M 2.5:2.5M .....	线材: PV:PVC PU:PU TF:铁氟龙 PE:PE	灯数: LP2: 2XTNPN LN2: 2XTNPN LP3: 3XTNPN LN3: 3XTNPN			
<p>非屏蔽款/Unshielded 屏蔽款/Shielded</p> 	<p><b>直式针型成型插头</b> M12 Straight Male Overmolded Plug</p> <p>M12 - P 3A - MWA - 1 PV - S</p> <table border="1" data-bbox="526 517 790 603"> <tr> <td>芯数: A:2A 3A 4A 5A 6A 8A 12A 17A B:5B C:3C 4C 5C 6C D:4D</td> <td>线长(M): 1:1M 2.5:2.5M .....</td> <td>线材: PV:PVC PU:PU TF:铁氟龙 PE:PE</td> <td>S:屏蔽 空:非屏蔽</td> </tr> </table>	芯数: A:2A 3A 4A 5A 6A 8A 12A 17A B:5B C:3C 4C 5C 6C D:4D	线长(M): 1:1M 2.5:2.5M .....	线材: PV:PVC PU:PU TF:铁氟龙 PE:PE	S:屏蔽 空:非屏蔽	
芯数: A:2A 3A 4A 5A 6A 8A 12A 17A B:5B C:3C 4C 5C 6C D:4D	线长(M): 1:1M 2.5:2.5M .....	线材: PV:PVC PU:PU TF:铁氟龙 PE:PE	S:屏蔽 空:非屏蔽			
	<p><b>直式针型成型插头 LED款</b> M12 Straight Male Overmolded Plug (LED)</p> <p>M12 - P 3A - MWA - 1 PV - LP2</p> <table border="1" data-bbox="526 754 790 830"> <tr> <td>芯数: A:3A 4A 5A</td> <td>线长(M): 1:1M 2.5:2.5M .....</td> <td>线材: PV:PVC PU:PU TF:铁氟龙 PE:PE</td> <td>灯数: LP2: 2XTNPN LN2: 2XTNPN LP3: 3XTNPN LN3: 3XTNPN</td> </tr> </table>	芯数: A:3A 4A 5A	线长(M): 1:1M 2.5:2.5M .....	线材: PV:PVC PU:PU TF:铁氟龙 PE:PE	灯数: LP2: 2XTNPN LN2: 2XTNPN LP3: 3XTNPN LN3: 3XTNPN	
芯数: A:3A 4A 5A	线长(M): 1:1M 2.5:2.5M .....	线材: PV:PVC PU:PU TF:铁氟龙 PE:PE	灯数: LP2: 2XTNPN LN2: 2XTNPN LP3: 3XTNPN LN3: 3XTNPN			
<p>非屏蔽款/Unshielded 屏蔽款/Shielded</p> 	<p><b>弯式孔型成型插头</b> M12 Angled Female Overmolded Plug</p> <p>M12 - S 3A - MWD - 1 PV - S</p> <table border="1" data-bbox="526 991 790 1078"> <tr> <td>芯数: A:2A 3A 4A 5A 6A 8A 12A 17A B:5B C:3C 4C 5C 6C D:4D</td> <td>线长(M): 1:1M 2.5:2.5M .....</td> <td>线材: PV:PVC PU:PU TF:铁氟龙 PE:PE</td> <td>S:屏蔽 空:非屏蔽</td> </tr> </table>	芯数: A:2A 3A 4A 5A 6A 8A 12A 17A B:5B C:3C 4C 5C 6C D:4D	线长(M): 1:1M 2.5:2.5M .....	线材: PV:PVC PU:PU TF:铁氟龙 PE:PE	S:屏蔽 空:非屏蔽	
芯数: A:2A 3A 4A 5A 6A 8A 12A 17A B:5B C:3C 4C 5C 6C D:4D	线长(M): 1:1M 2.5:2.5M .....	线材: PV:PVC PU:PU TF:铁氟龙 PE:PE	S:屏蔽 空:非屏蔽			
	<p><b>弯式孔型成型插头 LED款</b> M12 Angled Female Overmolded Plug (LED)</p> <p>M12 - S 3A - MWD - 1 PV - LP2</p> <table border="1" data-bbox="526 1228 790 1304"> <tr> <td>芯数: A:3A 4A 5A</td> <td>线长(M): 1:1M 2.5:2.5M .....</td> <td>线材: PV:PVC PU:PU TF:铁氟龙 PE:PE</td> <td>灯数: LP2: 2XTNPN LN2: 2XTNPN LP3: 3XTNPN LN3: 3XTNPN</td> </tr> </table>	芯数: A:3A 4A 5A	线长(M): 1:1M 2.5:2.5M .....	线材: PV:PVC PU:PU TF:铁氟龙 PE:PE	灯数: LP2: 2XTNPN LN2: 2XTNPN LP3: 3XTNPN LN3: 3XTNPN	
芯数: A:3A 4A 5A	线长(M): 1:1M 2.5:2.5M .....	线材: PV:PVC PU:PU TF:铁氟龙 PE:PE	灯数: LP2: 2XTNPN LN2: 2XTNPN LP3: 3XTNPN LN3: 3XTNPN			
<p>非屏蔽款/Unshielded 屏蔽款/Shielded</p> 	<p><b>弯式针型成型插头</b> M12 Angled Male Overmolded Plug</p> <p>M12 - P 3A - MWD - 1 PV - S</p> <table border="1" data-bbox="526 1466 790 1552"> <tr> <td>芯数: A:2A 3A 4A 5A 6A 8A 12A 17A B:5B C:3C 4C 5C 6C D:4D</td> <td>线长(M): 1:1M 2.5:2.5M .....</td> <td>线材: PV:PVC PU:PU TF:铁氟龙 PE:PE</td> <td>S:屏蔽 空:非屏蔽</td> </tr> </table>	芯数: A:2A 3A 4A 5A 6A 8A 12A 17A B:5B C:3C 4C 5C 6C D:4D	线长(M): 1:1M 2.5:2.5M .....	线材: PV:PVC PU:PU TF:铁氟龙 PE:PE	S:屏蔽 空:非屏蔽	
芯数: A:2A 3A 4A 5A 6A 8A 12A 17A B:5B C:3C 4C 5C 6C D:4D	线长(M): 1:1M 2.5:2.5M .....	线材: PV:PVC PU:PU TF:铁氟龙 PE:PE	S:屏蔽 空:非屏蔽			
	<p><b>弯式针型成型插头 LED款</b> M12 Angled Male Overmolded Plug (LED)</p> <p>M12 - P 3A - MWD - 1 PV - LP2</p> <table border="1" data-bbox="526 1681 790 1757"> <tr> <td>芯数: A:3A 4A 5A</td> <td>线长(M): 1:1M 2.5:2.5M .....</td> <td>线材: PV:PVC PU:PU TF:铁氟龙 PE:PE</td> <td>灯数: LP2: 2XTNPN LN2: 2XTNPN LP3: 3XTNPN LN3: 3XTNPN</td> </tr> </table>	芯数: A:3A 4A 5A	线长(M): 1:1M 2.5:2.5M .....	线材: PV:PVC PU:PU TF:铁氟龙 PE:PE	灯数: LP2: 2XTNPN LN2: 2XTNPN LP3: 3XTNPN LN3: 3XTNPN	
芯数: A:3A 4A 5A	线长(M): 1:1M 2.5:2.5M .....	线材: PV:PVC PU:PU TF:铁氟龙 PE:PE	灯数: LP2: 2XTNPN LN2: 2XTNPN LP3: 3XTNPN LN3: 3XTNPN			
<p>非屏蔽款/Unshielded 屏蔽款/Shielded</p> 	<p><b>直式孔型成型插头 阻尼款</b> M12 Straight Female Overmolded Plug (Damping style)</p> <p>M12 - S 3A - MWA - 1 PV - S - ZN</p> <table border="1" data-bbox="526 1940 790 2026"> <tr> <td>芯数: A:2A 3A 4A 5A 6A 8A 12A 17A B:5B C:3C 4C 5C 6C D:4D</td> <td>线长(M): 1:1M 2.5:2.5M .....</td> <td>线材: PV:PVC PU:PU TF:铁氟龙 PE:PE</td> <td>S:屏蔽 空:非屏蔽</td> </tr> </table>	芯数: A:2A 3A 4A 5A 6A 8A 12A 17A B:5B C:3C 4C 5C 6C D:4D	线长(M): 1:1M 2.5:2.5M .....	线材: PV:PVC PU:PU TF:铁氟龙 PE:PE	S:屏蔽 空:非屏蔽	
芯数: A:2A 3A 4A 5A 6A 8A 12A 17A B:5B C:3C 4C 5C 6C D:4D	线长(M): 1:1M 2.5:2.5M .....	线材: PV:PVC PU:PU TF:铁氟龙 PE:PE	S:屏蔽 空:非屏蔽			


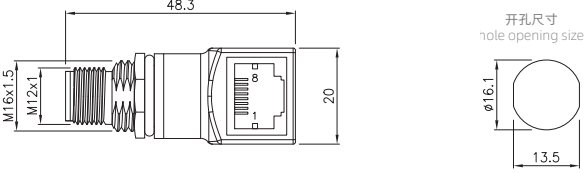

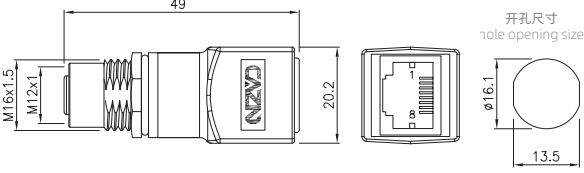

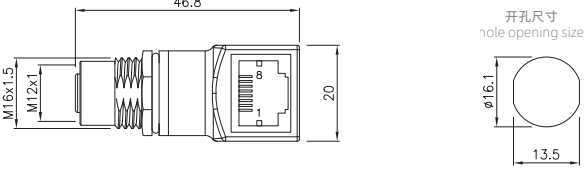

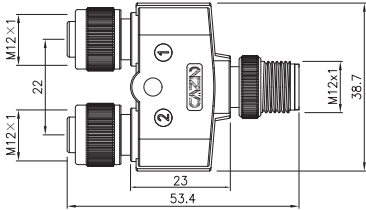

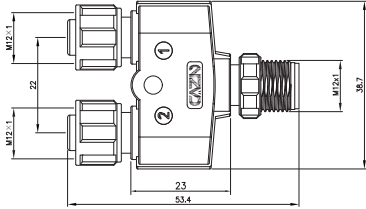

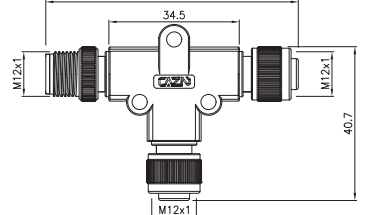

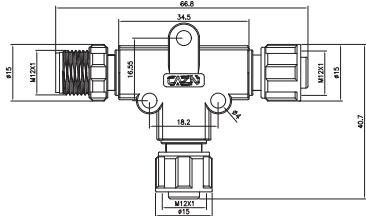
产品图 PRODUCT FIGURE	名称/类型号 NAME/TYPE No.	尺寸图 DIMENSIONS				
 <p>非屏蔽款/Unshielded 屏蔽款/Shielded</p>	<p><b>直式针型成型插头 阻尼款</b> M12 Straight Male Overmolded Plug (Damping style)</p> <p>M12 - P 3A - MWA - 1 PV - S - ZN</p> <table border="1"> <tr> <td>芯数: A:2A 3A 4A 5A 6A 8A 12A 17A B:5B C:3C 4C 5C 6C D:4D</td> <td>线长(M): 1:1M 2.5:2.5M .....</td> <td>线材: PV:PVC PU:PU TF:铁氟龙 PE:PE</td> <td>S:屏蔽 空:非屏蔽</td> </tr> </table>	芯数: A:2A 3A 4A 5A 6A 8A 12A 17A B:5B C:3C 4C 5C 6C D:4D	线长(M): 1:1M 2.5:2.5M .....	线材: PV:PVC PU:PU TF:铁氟龙 PE:PE	S:屏蔽 空:非屏蔽	 <p>47.5</p> <p>ø16.5</p> <p>M12x1</p>
芯数: A:2A 3A 4A 5A 6A 8A 12A 17A B:5B C:3C 4C 5C 6C D:4D	线长(M): 1:1M 2.5:2.5M .....	线材: PV:PVC PU:PU TF:铁氟龙 PE:PE	S:屏蔽 空:非屏蔽			
	<p><b>直式孔型成型插头 塑胶款</b> M12 Straight Female Overmolded Plug (Plastic style)</p> <p>M12 - S 3A - MWA - 1 PV - PM</p> <table border="1"> <tr> <td>芯数: A:2A 3A 4A 5A 6A 8A 12A 17A B:5B C:3C 4C 5C 6C D:4D</td> <td>线长(M): 1:1M 2.5:2.5M .....</td> <td>线材: PV:PVC PU:PU TF:铁氟龙 PE:PE</td> <td></td> </tr> </table>	芯数: A:2A 3A 4A 5A 6A 8A 12A 17A B:5B C:3C 4C 5C 6C D:4D	线长(M): 1:1M 2.5:2.5M .....	线材: PV:PVC PU:PU TF:铁氟龙 PE:PE		 <p>ø15</p> <p>M12x1</p> <p>47.5</p>
芯数: A:2A 3A 4A 5A 6A 8A 12A 17A B:5B C:3C 4C 5C 6C D:4D	线长(M): 1:1M 2.5:2.5M .....	线材: PV:PVC PU:PU TF:铁氟龙 PE:PE				
	<p><b>直式针型成型插头 塑胶款</b> M12 Straight Male Overmolded Plug (Plastic style)</p> <p>M12 - P 3A - MWA - 1 PV - PM</p> <table border="1"> <tr> <td>芯数: A:2A 3A 4A 5A 6A 8A 12A 17A B:5B C:3C 4C 5C 6C D:4D</td> <td>线长(M): 1:1M 2.5:2.5M .....</td> <td>线材: PV:PVC PU:PU TF:铁氟龙 PE:PE</td> <td></td> </tr> </table>	芯数: A:2A 3A 4A 5A 6A 8A 12A 17A B:5B C:3C 4C 5C 6C D:4D	线长(M): 1:1M 2.5:2.5M .....	线材: PV:PVC PU:PU TF:铁氟龙 PE:PE		 <p>ø15</p> <p>M12x1</p> <p>48.5</p>
芯数: A:2A 3A 4A 5A 6A 8A 12A 17A B:5B C:3C 4C 5C 6C D:4D	线长(M): 1:1M 2.5:2.5M .....	线材: PV:PVC PU:PU TF:铁氟龙 PE:PE				
	<p><b>弯式孔型成型插头 塑胶款</b> M12 Angled Female Overmolded Plug (Plastic style)</p> <p>M12 - S 3A - MWD - 1 PV - PM</p> <table border="1"> <tr> <td>芯数: A:2A 3A 4A 5A 6A 8A 12A 17A B:5B C:3C 4C 5C 6C D:4D</td> <td>线长(M): 1:1M 2.5:2.5M .....</td> <td>线材: PV:PVC PU:PU TF:铁氟龙 PE:PE</td> <td></td> </tr> </table>	芯数: A:2A 3A 4A 5A 6A 8A 12A 17A B:5B C:3C 4C 5C 6C D:4D	线长(M): 1:1M 2.5:2.5M .....	线材: PV:PVC PU:PU TF:铁氟龙 PE:PE		 <p>36</p> <p>30.5</p> <p>M12x1</p> <p>ø15</p>
芯数: A:2A 3A 4A 5A 6A 8A 12A 17A B:5B C:3C 4C 5C 6C D:4D	线长(M): 1:1M 2.5:2.5M .....	线材: PV:PVC PU:PU TF:铁氟龙 PE:PE				
	<p><b>弯式针型成型插头 塑胶款</b> M12 Angled Male Overmolded Plug (Plastic style)</p> <p>M12 - P 3A - MWD - 1 PV - PM</p> <table border="1"> <tr> <td>芯数: A:2A 3A 4A 5A 6A 8A 12A 17A B:5B C:3C 4C 5C 6C D:4D</td> <td>线长(M): 1:1M 2.5:2.5M .....</td> <td>线材: PV:PVC PU:PU TF:铁氟龙 PE:PE</td> <td></td> </tr> </table>	芯数: A:2A 3A 4A 5A 6A 8A 12A 17A B:5B C:3C 4C 5C 6C D:4D	线长(M): 1:1M 2.5:2.5M .....	线材: PV:PVC PU:PU TF:铁氟龙 PE:PE		 <p>34.2</p> <p>31</p> <p>M12x1</p> <p>ø15</p>
芯数: A:2A 3A 4A 5A 6A 8A 12A 17A B:5B C:3C 4C 5C 6C D:4D	线长(M): 1:1M 2.5:2.5M .....	线材: PV:PVC PU:PU TF:铁氟龙 PE:PE				
	<p><b>一分二孔型成型插头</b> M12 Female 1 to 2 Overmolded Plug</p> <p>M12 - S 3A - MWA - 1 PV - S - 1T2</p> <table border="1"> <tr> <td>芯数: A:2A 3A 4A 5A 6A 8A 12A 17A B:5B C:3C 4C 5C 6C D:4D</td> <td>线长(M): 1:1M 2.5:2.5M .....</td> <td>线材: PV:PVC PU:PU TF:铁氟龙 PE:PE</td> <td>S:屏蔽 空:非屏蔽</td> </tr> </table>	芯数: A:2A 3A 4A 5A 6A 8A 12A 17A B:5B C:3C 4C 5C 6C D:4D	线长(M): 1:1M 2.5:2.5M .....	线材: PV:PVC PU:PU TF:铁氟龙 PE:PE	S:屏蔽 空:非屏蔽	 <p>ø14.5</p> <p>M12x1</p> <p>53.2</p>
芯数: A:2A 3A 4A 5A 6A 8A 12A 17A B:5B C:3C 4C 5C 6C D:4D	线长(M): 1:1M 2.5:2.5M .....	线材: PV:PVC PU:PU TF:铁氟龙 PE:PE	S:屏蔽 空:非屏蔽			
	<p><b>一分二针型成型插头</b> M12 Male 1 to 2 Overmolded Plug</p> <p>M12 - P 3A - MWA - 1 PV - S - 1T2</p> <table border="1"> <tr> <td>芯数: A:2A 3A 4A 5A 6A 8A 12A 17A B:5B C:3C 4C 5C 6C D:4D</td> <td>线长(M): 1:1M 2.5:2.5M .....</td> <td>线材: PV:PVC PU:PU TF:铁氟龙 PE:PE</td> <td>S:屏蔽 空:非屏蔽</td> </tr> </table>	芯数: A:2A 3A 4A 5A 6A 8A 12A 17A B:5B C:3C 4C 5C 6C D:4D	线长(M): 1:1M 2.5:2.5M .....	线材: PV:PVC PU:PU TF:铁氟龙 PE:PE	S:屏蔽 空:非屏蔽	 <p>ø14.5</p> <p>M12x1</p> <p>55.4</p>
芯数: A:2A 3A 4A 5A 6A 8A 12A 17A B:5B C:3C 4C 5C 6C D:4D	线长(M): 1:1M 2.5:2.5M .....	线材: PV:PVC PU:PU TF:铁氟龙 PE:PE	S:屏蔽 空:非屏蔽			
 <p>螺钉/Screw M16x1.5 螺钉/Screw PG9</p>	<p><b>板前安装针型插座 焊线式</b> M12 Male Front Mount Socket (Solder)</p> <p>M12 - P 3A - GWB M16</p> <table border="1"> <tr> <td>芯数: A:2A 3A 4A 5A 6A 8A 12A 17A B:5B C:3C 4C 5C 6C D:4D</td> <td>螺钉: M16:M16x1.5 P9:PG9</td> <td></td> <td></td> </tr> </table>	芯数: A:2A 3A 4A 5A 6A 8A 12A 17A B:5B C:3C 4C 5C 6C D:4D	螺钉: M16:M16x1.5 P9:PG9			 <p>18</p> <p>M12x1</p> <p>M16x1.5</p> <p>PG9</p> <p>22</p> <p>ø16.1</p> <p>13.5</p> <p>开孔尺寸 hole opening size</p>
芯数: A:2A 3A 4A 5A 6A 8A 12A 17A B:5B C:3C 4C 5C 6C D:4D	螺钉: M16:M16x1.5 P9:PG9					

产品图 PRODUCT FIGURE	名称/类型号 NAME/TYPE No.	尺寸图 DIMENSIONS
	<p><b>板前安装针型插座</b> 焊线式 螺牙M12x1 M12 Male Front Mount Socket (Solder, Screw M12*1)</p> <p>M12 - P 3A - GWB M12</p> <p>芯数: A:2A 3A 4A 5A 6A BA 12A 17A B:5B C:3C 4C 5C 6C D:4D</p>	 <p>开孔尺寸 hole opening size ø12.1</p>
<p>螺牙/Screw M16x1.5 螺牙/Screw PG9</p> 	<p><b>板前安装针型插座</b> 插板式 M12 Male Front Mount Socket (PCB)</p> <p>M12 - P 3A - GPB M16</p> <p>芯数: A:2A 3A 4A 5A 6A BA 12A 17A B:5B C:3C 4C 5C 6C D:4D</p> <p>螺牙: M16:M16x1.5 P9:PG9</p>	 <p>开孔尺寸 hole opening size ø16.1 13.5</p>
	<p><b>板前安装针型插座</b> 插板式 螺牙M12x1 M12 Male Front Mount Socket (PCB, Screw M12*1)</p> <p>M12 - P 3A - GPB M12</p> <p>芯数: A:2A 3A 4A 5A 6A BA 12A 17A B:5B C:3C 4C 5C 6C D:4D</p>	 <p>开孔尺寸 hole opening size ø12.1</p>
	<p><b>板前安装针型插座</b> 焊线式 螺牙M15x1 塑胶版 M12 Male Front Mount Socket (Solder, Screw M15*1, Plastic type)</p> <p>M12 - P 3A - PWB M15</p> <p>芯数: A:2A 3A 4A 5A 6A BA 12A 17A B:5B C:3C 4C 5C 6C D:4D</p>	 <p>开孔尺寸 hole opening size ø15.1 13.5</p>
<p>螺牙/Screw M16x1.5 螺牙/Screw PG9</p> 	<p><b>板前安装孔型插座</b> 焊线式 M12 Female Front Mount Socket (Solder)</p> <p>M12 - S 3A - GWB M16</p> <p>芯数: A:2A 3A 4A 5A 6A BA 12A 17A B:5B C:3C 4C 5C 6C D:4D</p> <p>螺牙: M16:M16x1.5 P9:PG9</p>	 <p>开孔尺寸 hole opening size ø16.1 13.5</p>
	<p><b>板前安装孔型插座</b> 焊线式 螺牙M12x1 M12 Female Front Mount Socket (Solder, Screw M12*1)</p> <p>M12 - S 3A - GWB M12</p> <p>芯数: A:2A 3A 4A 5A 6A BA 12A 17A B:5B C:3C 4C 5C 6C D:4D</p>	 <p>开孔尺寸 hole opening size ø12.1</p>
	<p><b>板前安装孔型插座</b> 焊线式 螺牙M15x1 塑胶版 M12 Female Front Mount Socket (Solder, Screw M15*1, Plastic type)</p> <p>M12 - S 3A - PWB M15</p> <p>芯数: A:2A 3A 4A 5A 6A BA 12A 17A B:5B C:3C 4C 5C 6C D:4D</p>	 <p>开孔尺寸 hole opening size ø15.1 13.5</p>
	<p><b>板前安装孔型插座</b> 插板式 螺牙M12x1 M12 Female Front Mount Socket (PCB, Screw M12*1)</p> <p>M12 - S 3A - GPB M12</p> <p>芯数: A:2A 3A 4A 5A 6A BA 12A 17A B:5B C:3C 4C 5C 6C D:4D</p>	 <p>开孔尺寸 hole opening size ø12.1</p>

产品图 PRODUCT FIGURE	名称/类型号 NAME/TYPE No.	尺寸图 DIMENSIONS
螺钉/Screw M16x1.5 螺钉/Screw PG9 	<b>板后安装针型插座 焊线式</b> <b>M12 Male Back Mount Socket (Solder)</b>  <b>M12 - P 3A - GWF M16</b> 芯数: A:2A 3A 4A 5A 6A BA 12A 17A B:5B C:3C 4C 5C 6C D:4D 螺钉: M16:M16x1.5 P9:PG9	 
	<b>板后安装针型插座 焊线式 螺钉M12x1</b> <b>M12 Male Back Mount Socket (Solder, Screw M12*1)</b>  <b>M12 - P 3A - GWF M12</b> 芯数: A:2A 3A 4A 5A 6A BA 12A 17A B:5B C:3C 4C 5C 6C D:4D	 
螺钉/Screw M16x1.5 螺钉/Screw PG9 	<b>板后安装针型插座 焊线式 屏蔽</b> <b>M12 Male Back Mount Socket (Solder, Shielded)</b>  <b>M12 - P 3A - GWF M16 - S - PBG</b> 芯数: A:2A 3A 4A 5A 6A BA 12A 17A B:5B C:3C 4C 5C 6C D:4D 螺钉: M16:M16x1.5 P9:PG9 S:屏蔽 空:非屏蔽	 
螺钉/Screw M16x1.5 螺钉/Screw PG9 	<b>板后安装针型插座 插板式</b> <b>M12 Male Back Mount Socket (PCB)</b>  <b>M12 - P 3A - GPF M16</b> 芯数: A:2A 3A 4A 5A 6A BA 12A 17A B:5B C:3C 4C 5C 6C D:4D 螺钉: M16:M16x1.5 P9:PG9	 
	<b>板后安装针型插座 插板式 螺钉M12x1</b> <b>M12 Male Back Mount Socket (PCB, Screw M12*1)</b>  <b>M12 - P 3A - GPF M12</b> 芯数: A:2A 3A 4A 5A 6A BA 12A 17A B:5B C:3C 4C 5C 6C D:4D	 
螺钉/Screw M16x1.5 螺钉/Screw PG9 	<b>板后安装针型插座 插板式 接地款</b> <b>M12 Male Back Mount Socket (PCB, Grounded type)</b>  <b>M12 - P 3A - GPF M16 - JD</b> 芯数: A:2A 3A 4A 5A 6A BA 12A 17A B:5B C:3C 4C 5C 6C D:4D 螺钉: M16:M16x1.5 P9:PG9	 
	<b>板后安装针型插座 插板式 螺钉M12x1 接地款</b> <b>M12 Male Back Mount Socket (PCB, Screw M12*1, Grounded type)</b>  <b>M12 - P 3A - GPF M12 - JD</b> 芯数: A:2A 3A 4A 5A 6A BA 12A 17A B:5B C:3C 4C 5C 6C D:4D	 
	<b>板后安装针型插座 焊线式 螺钉M15x1 塑胶版</b> <b>M12 Male Back Mount Socket (Solder, Screw M15*1, Plastic type)</b>  <b>M12 - P 3A - PWF M15</b> 芯数: A:2A 3A 4A 5A 6A BA 12A 17A B:5B C:3C 4C 5C 6C D:4D	 

产品图 PRODUCT FIGURE	名称/类型号 NAME/TYPE No.	尺寸图 DIMENSIONS
	<b>板后安装针型插座 焊线式 螺牙M12x1 塑胶版</b> <b>M12 Male Back Mount Socket (Solder, Screw M12*1, Plastic type)</b>  <b>M12 - P 3A - PWF M12</b> 芯数: A:2A 3A 4A 5A 6A BA 12A 17A B:5B C:3C 4C 5C 6C D:4D	 开孔尺寸 hole opening size $\phi 12.1$ 10.7
	<b>板后安装针型插座 插板式 螺牙M15x1 塑胶版</b> <b>M12 Male Back Mount Socket (PCB, Screw M15*1, Plastic type)</b>  <b>M12 - P 3A - PPF M15</b> 芯数: A:2A 3A 4A 5A 6A BA 12A 17A B:5B C:3C 4C 5C 6C D:4D	 开孔尺寸 hole opening size $\phi 15.1$ 13.5
	<b>板后安装针型插座 插板式 螺牙M12x1 塑胶版</b> <b>M12 Male Back Mount Socket (PCB, Screw M12*1, Plastic type)</b>  <b>M12 - P 3A - PPF M12</b> 芯数: A:2A 3A 4A 5A 6A BA 12A 17A B:5B C:3C 4C 5C 6C D:4D	 开孔尺寸 hole opening size $\phi 12.1$ 10.7
螺牙/Screw M16x1.5 螺牙/Screw PG9	<b>板后安装孔型插座 焊线式</b> <b>M12 Female Back Mount Socket (Solder)</b>  <b>M12 - S 3A - GWF M16</b> 芯数: A:2A 3A 4A 5A 6A BA 12A 17A B:5B C:3C 4C 5C 6C D:4D 螺牙: M16:M16x1.5 P9:PG9	 开孔尺寸 hole opening size $\phi 16.1$ 13.5
螺牙/Screw M16x1.5 螺牙/Screw PG9	<b>板后安装孔型插座 焊线式 屏蔽</b> <b>M12 Female Back Mount Socket (Solder, Shielded)</b>  <b>M12 - S 3A - GWF M16 - S - PBG</b> 芯数: A:2A 3A 4A 5A 6A BA 12A 17A B:5B C:3C 4C 5C 6C D:4D 螺牙: M16:M16x1.5 P9:PG9 S:屏蔽 空:非屏蔽	 开孔尺寸 hole opening size $\phi 16.1$ 13.5
螺牙/Screw M16x1.5 螺牙/Screw PG9	<b>板后安装孔型插座 插板式</b> <b>M12 Female Back Mount Socket (PCB)</b>  <b>M12 - S 3A - GPF M16</b> 芯数: A:2A 3A 4A 5A 6A BA 12A 17A B:5B C:3C 4C 5C 6C D:4D 螺牙: M16:M16x1.5 P9:PG9	 开孔尺寸 hole opening size $\phi 16.1$ 13.5
螺牙/Screw M16x1.5 螺牙/Screw PG9	<b>板后安装孔型插座 插板式 接地款</b> <b>M12 Female Back Mount Socket (PCB, Grounded type)</b>  <b>M12 - S 3A - GPF M16 - JD</b> 芯数: A:2A 3A 4A 5A 6A BA 12A 17A B:5B C:3C 4C 5C 6C D:4D 螺牙: M16:M16x1.5 P9:PG9	 开孔尺寸 hole opening size $\phi 16.1$ 13.5
	<b>板后安装孔型插座 焊线式 螺牙M15x1 塑胶版</b> <b>M12 Female Back Mount Socket (Solder, Screw M15*1, Plastic type)</b>  <b>M12 - S 3A - PWF M15</b> 芯数: A:2A 3A 4A 5A 6A BA 12A 17A B:5B C:3C 4C 5C 6C D:4D	 开孔尺寸 hole opening size $\phi 15.1$ 13.5

产品图 PRODUCT FIGURE	名称/类型号 NAME/TYPE No.	尺寸图 DIMENSIONS	
	<p><b>板后安装孔型插座</b> 插板式 螺牙M15x1 塑胶版 M12 Female Back Mount Socket(PCB, Screw M15*1, Plastic type)</p> <p>M12 - S 3A - PPF M15</p> <p>芯数: A:2A 3A 4A 5A 6A BA 12A 17A B:5B C:3C 4C 5C 6C D:4D</p>		<p>开孔尺寸 hole opening size</p> 
	<p><b>方形法兰针型插座</b> 焊线式 14x14 M12 Square Flange Male Socket (Solder, 14*14)</p> <p>M12 - P 3A - GWH</p> <p>芯数: A:2A 3A 4A 5A 6A BA 12A 17A B:5B C:3C 4C 5C 6C D:4D</p>		
	<p><b>方形法兰孔型插座</b> 焊线式 14x14 M12 Square Flange Female Socket (Solder, 14*14)</p> <p>M12 - S 3A - GWH</p> <p>芯数: A:2A 3A 4A 5A 6A BA 12A 17A B:5B C:3C 4C 5C 6C D:4D</p>		
<p>不接地款/Ungrounded 接地款/Grounded</p> 	<p><b>弯式针型插座</b> 插板式 螺牙M12x1 M12 Curved Needle Socket (PCB, Screw M12*1)</p> <p>M12 - P 3A - GPL M12 - JD</p> <p>芯数: A:2A 3A 4A 5A 6A BA 12A B:5B D:4D</p> <p>空:不接地 D:接地</p>		<p>开孔尺寸 hole opening size</p> 
<p>不接地款/Ungrounded 接地款/Grounded</p> 	<p><b>弯式孔型插座</b> 插板式 螺牙M12x1 M12 Curved Hole Socket (PCB, Screw M12*1)</p> <p>M12 - S 3A - GPL M12 - JD</p> <p>芯数: A:2A 3A 4A 5A 6A BA 12A B:5B D:4D</p> <p>空:不接地 D:接地</p>		<p>开孔尺寸 hole opening size</p> 
	<p><b>弯式针型插座</b> 插板式 螺牙M12x1 大体积款 M12 Curved Needle Socket (PCB, Screw M12*1, Big volume)</p> <p>M12 - P 3A - GPL M12 - BS</p> <p>芯数: A:2A 3A 4A 5A 6A BA 12A 17A B:5B C:3C 4C 5C 6C D:4D</p>		<p>开孔尺寸 hole opening size</p> 
	<p><b>弯式孔型插座</b> 插板式 螺牙M15x1 大体积款 M12 Curved Hole Socket (PCB, Screw M15*1, Big volume)</p> <p>M12 - S 3A - GPL M15 - BS</p> <p>芯数: A:2A 3A 4A 5A 6A BA 12A 17A B:5B C:3C 4C 5C 6C D:4D</p>		<p>开孔尺寸 hole opening size</p> 
	<p><b>直式针型转RJ45转接器</b> M12 Straight Male to RJ45 Adapter</p> <p>M12 - P 4A / RJ45 - A - F8</p> <p>芯数: A:4A BA D:4D</p>		<p>开孔尺寸 hole opening size</p> 

产品图 PRODUCT FIGURE	名称/型号 NAME/TYPE No.	尺寸图 DIMENSIONS
	<b>弯式针型转RJ45转接器</b> M12 Angled Male to RJ45 Adapter  M12 - P 4A / RJ45 - D - F8  芯数: A:4A BA D:4D	
	<b>直式孔型转RJ45转接器</b> M12 Straight Female to RJ45 Adapter  M12 - S 4A / RJ45 - A - F8  芯数: A:4A BA D:4D	
	<b>弯式孔型转RJ45转接器</b> M12 Angled Female to RJ45 Adapter  M12 - S 4A / RJ45 - D - F8  芯数: A:4A BA D:4D	
	<b>Y型转接器 PSS型</b> M12 Y-Type Adapter (PSS)  M12 - Y - P 3A / S 3A x2  芯数: A:2A 3A 4A 5A 6A BA B:5B D:4D	
	<b>Y型转接器 PSS型 塑胶款</b> M12 Y-Type Adapter (PSS, Plastic type)  M12 - Y - P 3A / S 3A x2 - PM  芯数: A:2A 3A 4A 5A 6A BA B:5B D:4D	
	<b>T型转接器 PSS型</b> M12 T-Type Adapter (PSS)  M12 - T - P 3A / S 3A x2  芯数: A:2A 3A 4A 5A 6A BA B:5B D:4D	
	<b>T型转接器 PSS型 塑胶款</b> M12 T-Type Adapter (PSS, Plastic type)  M12 - T - P 3A / S 3A x2 - PM  芯数: A:2A 3A 4A 5A 6A BA B:5B D:4D	

产品图 PRODUCT FIGURE	名称/类型号 NAME/TYPE No.	尺寸图 DIMENSIONS
	<p><b>I 型转接器</b> M12-M12 PS型 金属款  <b>M12 I-Type Adapter</b> (M12-M12, PS, Metal Style)</p> <p>M12 - I - P 3A / S 3A - GA</p> <p>芯数:  A:2A 3A 4A 5A  6A 8A 12A  B:5B  D:4D</p>	<p>开孔尺寸  hole opening size</p>
	<p><b>I 型转接器</b> M12-M12 SS型 金属款  <b>M12 I-Type Adapter</b> (M12-M12, SS, Metal Style)</p> <p>M12 - I - S 3A / S 3A - GA</p> <p>芯数:  A:2A 3A 4A 5A  6A 8A 12A  B:5B  D:4D</p>	<p>开孔尺寸  hole opening size</p>
	<p><b>I 型转接器</b> M12-M12 PS型 塑胶款  <b>M12 I-Type Adapter</b> (M12-M12, PS, Plastic style)</p> <p>M12 - I - P 3A / S 3A</p> <p>芯数:  A:2A 3A 4A 5A  6A 8A 12A  B:5B  D:4D</p>	
	<p><b>I 型转接器</b> M12-M8 PS型 塑胶款  <b>M12 I-Type Adapter</b> (M12-M8, PS, Plastic style)</p> <p>M12 - I - P 3A / M8 - S 3A</p> <p>芯数:  A:2A 3A 4A 5A  6A 8A 12A  B:5B  D:4D</p> <p>芯数:  A:3A 4A 6A 8A  B:5B</p>	
	<p><b>L型转接器</b> SS型  <b>M12 L-Type Adapter</b> (SS)</p> <p>M12 - L - S 3A / S 3A</p> <p>芯数:  A:2A 3A 4A  5A 6A 8A  B:5B  D:4D</p>	
	<p><b>T型带线转接器</b> PS型  <b>M12 T-Type Cable type</b> (PS)</p> <p>M12 - P 3A / S 3A - MWT+OPEN - 1 PV</p> <p>芯数:  A:2A 3A 4A 5A 6A  8A 12A 17A  B:5B  C:3C 4C 5C 6C  D:4D</p> <p>线长(M):  1:1M  2:5;2.5M  .....</p> <p>线材:  PU:PUC  PU:PUR  .....</p>	
	<p><b>Y型转接器</b> M12-M8x2 PSS型  <b>M12 Y-Type Adapter</b> (M12-M8*2, PSS)</p> <p>M12 - Y - P 4A / M8 - S 4A X2</p> <p>芯数:  A:3A 4A</p>	



产品图 PRODUCT FIGURE	名称/类型号 NAME/TYPE No.	尺寸图 DIMENSIONS
	终端电阻孔型插头 120Ω M12 Female Ohm Terminal Plug (120Ω) M12 - S 3A - MWO - 120 OHM 芯数: A:2A 3A 4A 5A 6A 8A 12A 17A B:5B C:3C 4C 5C 6C D:4D 阻抗(O): 120:120Ω .....	
	终端电阻孔型插头 120Ω 塑胶版 M12 Female Ohm Terminal Plug (120Ω, Plastic type) M12 - S 3A - MWO - PM - 120 OHM 芯数: A:2A 3A 4A 5A 6A 8A 12A 17A B:5B C:3C 4C 5C 6C D:4D 阻抗(O): 120:120Ω .....	
	终端电阻针型插头 120Ω M12 Male Ohm Terminal Plug (120Ω) M12 - P 3A - MWO - 120 OHM 芯数: A:2A 3A 4A 5A 6A 8A 12A 17A B:5B C:3C 4C 5C 6C D:4D 阻抗(O): 120:120Ω .....	
	终端电阻针型插头 120Ω 塑胶版 M12 Male Ohm Terminal Plug (120Ω, Plastic type) M12 - P 3A - MWO - PM - 120 OHM 芯数: A:2A 3A 4A 5A 6A 8A 12A 17A B:5B C:3C 4C 5C 6C D:4D 阻抗(O): 120:120Ω .....	

## M12·贴片式插座配件 M12 SMD RECEPTACLE ASSEMBLY

	针型贴片式插座 M12 Male SMD Type Socket M12 - P 3A - PSS 芯数: A:2A 3A 4A 5A 6A 8A 12A 17A B:5B D:4D								
	孔型贴片式插座 M12 Female SMD Type Socket M12 - S 3A - PSS 芯数: A:2A 3A 4A 5A 6A 8A 12A 17A B:5B D:4D								
	板前安装针型外壳 螺钉M12x1 Front Mount Male Shell (Screw M12*1) M12-PGBM12		板前安装孔型外壳 螺钉M12x1 Front Mount Female Shell (Screw M12*1) M12-SGBM12		板后安装针型外壳 螺钉M12x1 Back Mount Male Shell (Screw M12*1) M12-PGFM12		板后安装针型外壳 螺钉M15x1 Back Mount Male Shell (Screw M15*1) M12-PGFM15		板后安装孔型外壳 螺钉M15x1 Back Mount Female Shell (Screw M15*1) M12-SGFM15

## M12·防尘盖 M12 DUST COVER

M12 塑胶防尘盖 内牙 M12 Plastic Dust Cover (Inner screw)			M12 金属防尘盖 内牙 M12 Metal Dust Cover (Inner screw)		
	环内直径 Ring inner diameter	订货号 No.		环内直径 Ring inner diameter	订货号 No.
	φ 3mm	M12P-TV5P-3		φ 3mm	M12G-TV1P-3
	φ 11.5mm	M12P-TV5P-11.5		φ 12mm	M12G-TV1P-12
	φ 13mm	M12P-TV5P-13		φ 16mm	M12G-TV1P-16
	φ 15mm	M12P-TV5P-15			
M12 塑胶防尘盖 外牙 M12 Plastic Dust Cover (Outer screw)			M12 金属防尘盖 外牙 M12 Metal Dust Cover (Outer screw)		
	环内直径 Ring inner diameter	订货号 No.		环内直径 Ring inner diameter	订货号 No.
	φ 3mm	M12P-TV5S-3		φ 3mm	M12G-TV1S-3
	φ 11.5mm	M12P-TV5S-11.5		φ 12mm	M12G-TV1S-12
	φ 13mm	M12P-TV5S-13		φ 16mm	M12G-TV1S-16
	φ 15mm	M12P-TV5S-15			
M12 塑胶防尘盖 外牙 M12 Plastic Dust Cover (Outer screw)					
	环内直径 Ring inner diameter	订货号 No.			
	φ M12	M12P-TV6S			

## M12·电气参数 M12 ELECTRICAL PARAMETERS

芯数 Pins	针型 Male				额定电流 Rated current	额定电压 Rated voltage		导体规格 Conductor size		孔型 Female			
	A	B	C	D		A/C	D/C	AWG	mm <sup>2</sup>	A	B	C	D
2					4A	250V	250V	22	0.34				
3					4A	250V	250V	22	0.34				
4					4A	250V	250V	22	0.34				
5					4A:A型(A-Code) B型(B-Code) 2A:C型(C-Code)	60V	60V	22	0.34				
6					2A	30V	30V	24	0.25				
8					2A	30V	30V	24	0.25				
12					1.5A	30V	30V	26	0.14				
17					1.5A	30V	30V	26	0.14				

## M12·插板式芯位图 M12 PCB PINS ARRANGEMENT

芯数 Pins	2A	3A	4A	4D	5A
针型 插板式芯位分布图 Male PCB Pins Arrangement					
	5B	6A	8A	12A	17A
芯数 Pins	2A	3A	4A	4D	5A
孔型 插板式芯位分布图 Female PCB Pins Arrangement					
	5B	6A	8A	12A	17A

## M12·接线定义 M12 WIRE DEFINITION

芯位 Pins	线芯颜色 Wire core color	
	2芯(Pins)	
1	BN	
2	-	
3	BU	

芯位 Pins	线芯颜色 Wire core color		
	3芯(Pins)		
1	BN		
2	-		
3	BU		
4	BK		

芯位 Pins	线芯颜色 Wire core color		
	6芯(Pins)		
1	BN		
2	WH		
3	BU		
4	BK		
5	-		
6	GY		
7	RD		

芯位 Pins	线芯颜色 Wire core color		
	8芯(Pins)		
1	WH		
2	BN		
3	GN		
4	YE		
5	GY		
6	PK		
7	BU		
8	RD		

芯位 Pins	线芯颜色 Wire core color					
	4芯A编码(4 Pins A-Code)		4芯B编码(4 Pins B-Code)		4芯D编码(4 Pins D-Code)	
1	BN		BN		YE	
2	WH		WH		WH	
3	BU		BU		OG	
4	BK		BK		BU	

芯位 Pins	线芯颜色 Wire core color		
	12芯(Pins)		
1	BN		
2	BU		
3	WH		
4	GN		
5	PK		
6	YE		
7	BK		
8	GY		
9	RD		
10	VT		
11	OG		
12	LTGN		


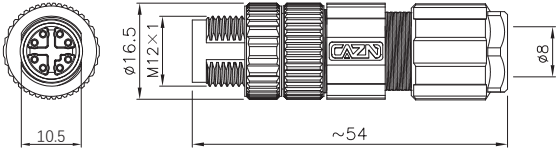

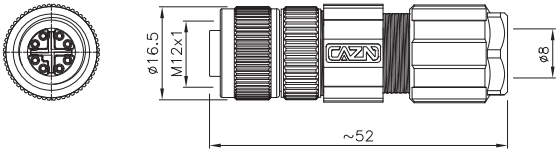

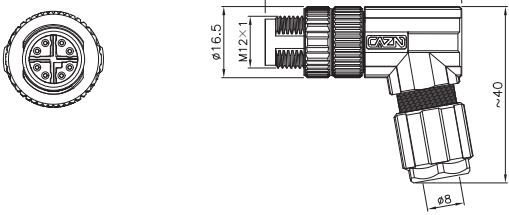

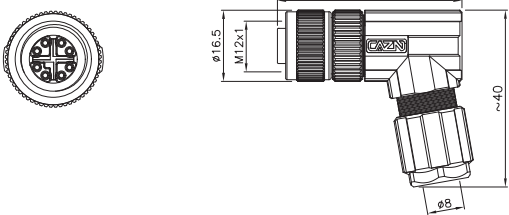

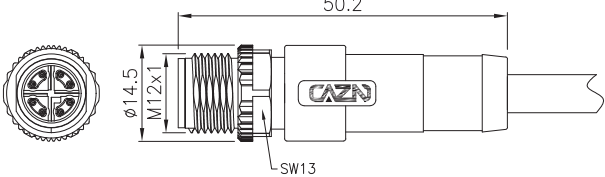

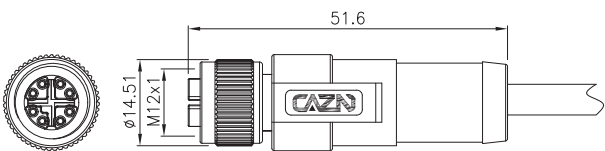
芯位 Pins	线芯颜色 Wire core color		
	17芯(Pins)		
1	BN		
2	BU		
3	WH		
4	GN		
5	PK		
6	YE		
7	BK		
8	GY		
9	RD		
10	VT		
11	OG		
12	LTGN		
13	LTBU		
14	BKWH		
15	BNWH		
16	RDWH		
17	BUWH		


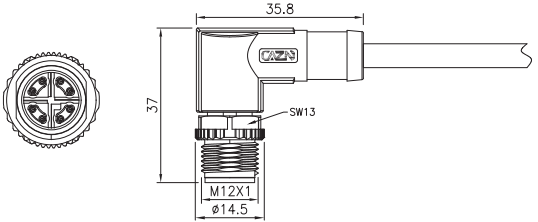

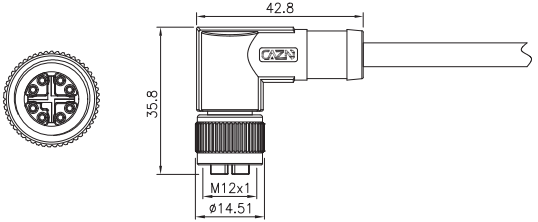

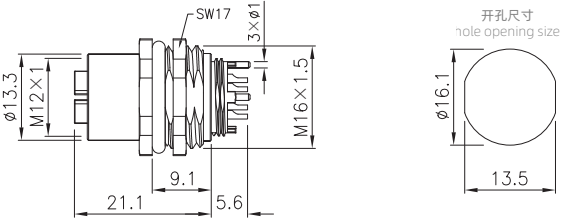

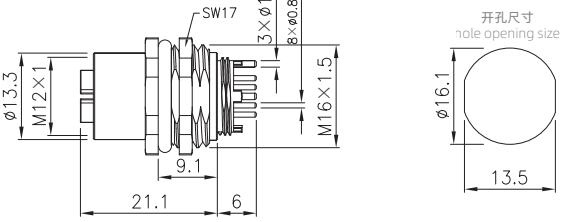

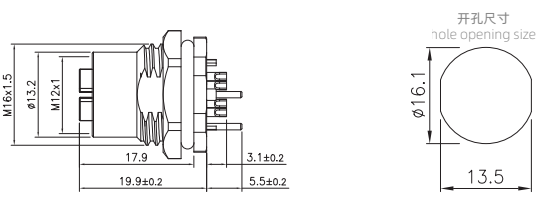

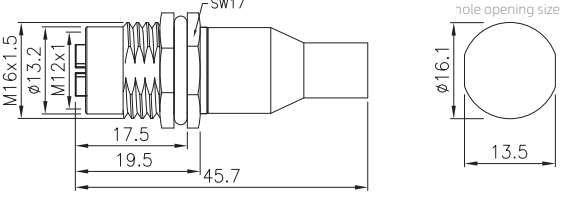

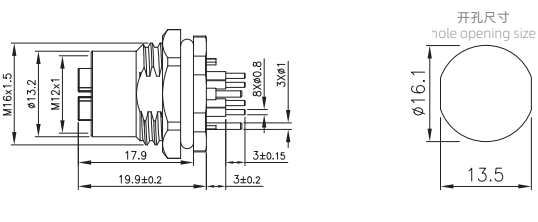
\*接线定义按常规标准，如按协议或者其他请联系我司业务。


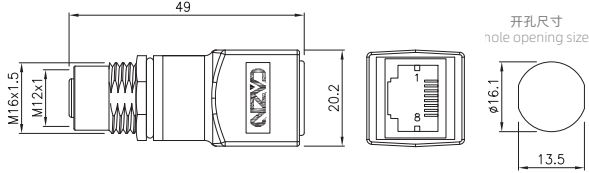

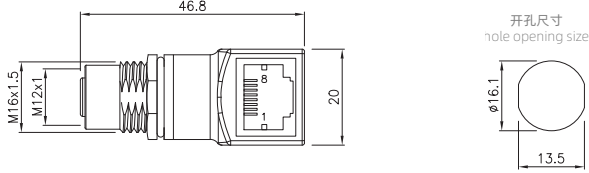
Wiring definition according to conventional standards, if according to the agreement or other please contact our sales.

# M12数据型——X型Y型


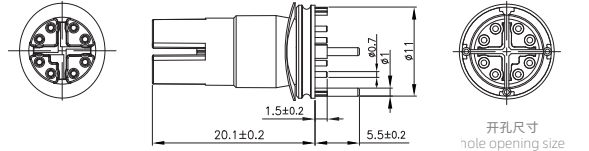

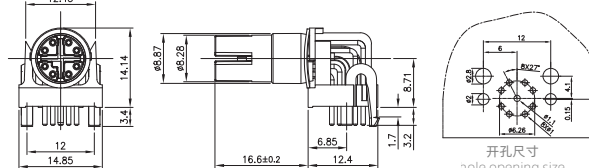


M12 DATA TYPE -- X CODE/Y CODE

产品图 PRODUCT FIGURE	名称/类型号 NAME/TYPE NO.	尺寸图 DIMENSIONS
	<p>直式针型金属组装机插头 数据型 压接式 PG7 M12 Straight Male Metal Assembled Plug (Data type, Crimp, PG7)</p> <p>M12 - P 8X - GCA P7</p> <p>芯数: X:8X Y:6Y 8Y</p>	
	<p>直式孔型金属组装机插头 数据型 焊线式 PG7 M12 Straight Female Metal Assembled Plug (Data type, Solder, PG7)</p> <p>M12 - S 8X - GCA P7</p> <p>芯数: X:8X Y:6Y 8Y</p>	
	<p>弯式针型金属组装机插头 数据型 压接式 PG7 M12 Angled Male Metal Assembled Plug (Data type, Crimp, PG7)</p> <p>M12 - P 8X - GCD P7</p> <p>芯数: X:8X Y:6Y 8Y</p>	
	<p>弯式孔型金属组装机插头 数据型 焊线式 PG7 M12 Angled Female Metal Assembled Plug (Data type, Solder, PG7)</p> <p>M12 - S 8X - GCD P7</p> <p>芯数: X:8X Y:6Y 8Y</p>	
	<p>直式针型成型插头 数据型 屏蔽款 M12 Straight Male Overmolded Plug (Data type, Shielded)</p> <p>M12 - P 8X - GWA -1 PV - S</p> <p>芯数: X:8X Y:6Y 8Y</p> <p>线长(M): 1:1M 2.5:2.5M .....</p> <p>线材: PV:PVC PU:PU TF:铁氟龙 PE:PE</p> <p>S:屏蔽 空:非屏蔽</p>	
	<p>直式孔型成型插头 数据型 屏蔽款 M12 Straight Female Overmolded Plug (Data type, Shielded)</p> <p>M12 - S 8X - GWA -1 PV - S</p> <p>芯数: X:8X Y:6Y 8Y</p> <p>线长(M): 1:1M 2.5:2.5M .....</p> <p>线材: PV:PVC PU:PU TF:铁氟龙 PE:PE</p> <p>S:屏蔽 空:非屏蔽</p>	

<b>产品图</b> PRODUCT FIGURE	<b>名称/型号</b> NAME/TYPE No.	<b>尺寸图</b> DIMENSIONS
	<b>弯式针型成型插头 数据型 屏蔽式</b> <b>M12 Angled Male Overmolded Plug (Data type, Shielded)</b>  <b>M12 - P 8X - GWD - 1 PV - S</b> 芯数: X:8X Y:6Y 8Y 线长(M): 1:1M 2.5:2.5M 线材: PV:PVC PU:PU S:屏蔽 空:非屏蔽 TF:铁氟龙 PE:PE	
	<b>弯式孔型成型插头 数据型 屏蔽式</b> <b>M12 Angled Female Overmolded Plug (Data type, Shielded)</b>  <b>M12 - S 8X - GWD - 1 PV - S</b> 芯数: X:8X Y:6Y 8Y 线长(M): 1:1M 2.5:2.5M 线材: PV:PVC PU:PU S:屏蔽 空:非屏蔽 TF:铁氟龙 PE:PE	
	<b>板前安装孔型插座 数据型 焊线式 螺牙M16x1.5</b> <b>M12 Female Front Mount Socket (Data type, Solder, Screw M16*1.5)</b>  <b>M12 - S 8X - GWB M16</b> 芯数: X:8X Y:6Y 8Y	
	<b>板前安装孔型插座 数据型 插板式 螺牙M16x1.5</b> <b>M12 Female Front Mount Socket (Data type, PCB, Screw M16*1.5)</b>  <b>M12 - S 8X - GWB M16</b> 芯数: X:8X Y:6Y 8Y	
	<b>板后安装孔型插座 数据型 焊线式 螺牙M16x1.5</b> <b>M12 Female Back Mount Socket (Data type, Solder, Screw M16*1.5)</b>  <b>M12 - S 8X - GWF M16</b> 芯数: X:8X Y:6Y 8Y	
	<b>板后安装孔型插座 数据型 焊线式 螺牙M16x1.5 屏蔽款</b> <b>M12 Female Back Mount Socket (Data type, Solder, Screw M16*1.5, Shielded)</b>  <b>M12 - S 8X - GWF M16 - S - PBG</b> 芯数: X:8X Y:6Y 8Y 螺牙: M16:M16x1.5 P9:PG9 S:屏蔽 空:非屏蔽	
	<b>板后安装孔型插座 数据型 插板式 螺牙M16x1.5</b> <b>M12 Female Back Mount Socket (Data type, PCB, Screw M16*1.5)</b>  <b>M12 - S 8X - GPF M16</b> 芯数: X:8X Y:6Y 8Y	

产品图 PRODUCT FIGURE	名称/类型号 NAME/TYPE No.	尺寸图 DIMENSIONS
	<p>直式孔型转RJ45转接器 180° 数据型 M12 Straight Female to RJ45 Adapter 180°(Data type)</p> <p>M12 - S 8X / RJ45 - A - F8</p>	
	<p>弯式孔型转RJ45转接器 90° 数据型 M12 Angled Female to RJ45 Adapter 90°(Data type)</p> <p>M12 - S 8X / RJ45 - D - F8</p>	

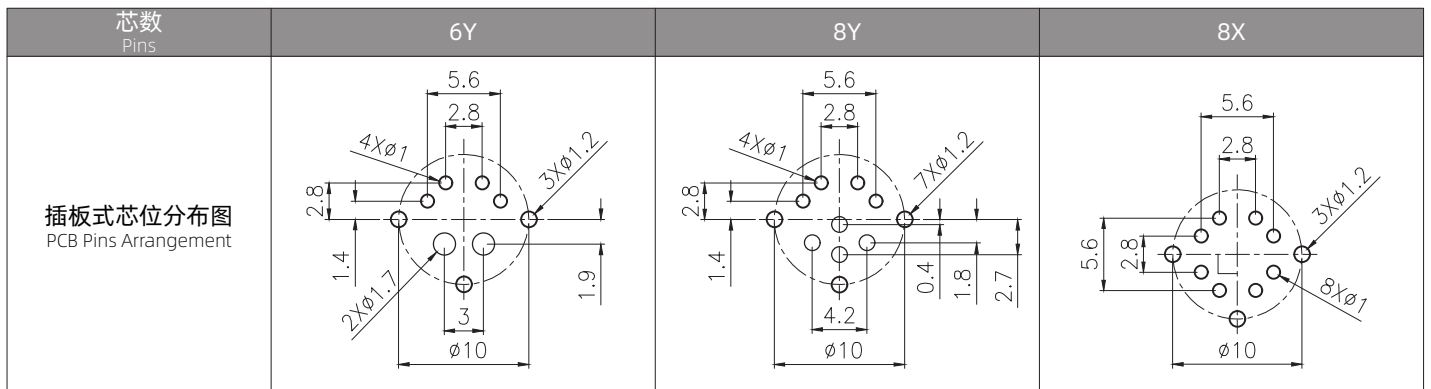
M12·贴片式插芯与外壳配件(X型) M12 SOCKET INSERT AND HOUSING ACCESSORIES(X-CODING)

	<p>贴片式孔型插座 插板式 M12 SMD Type Female Socket (PCB)</p> <p>M12 - S 8X - PSS</p> <p>芯数: X:8X Y:6Y8Y</p>	
	<p>弯式孔型插座 插板式 M12 Right angle Female Socket (PCB)</p> <p>M12 - S 8X - PPL</p> <p>芯数: X:8X Y:6Y8Y</p>	
 <p>板前安装孔型外壳 螺钉M12x1 Front Mount Female Shell (Screw M12*1) M12-SGBM12-X</p>	 <p>板后安装孔型外壳 螺钉M12x1 Back Mount Female Shell (Screw M12*1) M12-SGFM12-X</p>	

## M12(XY)·电气参数 M12(XY) ELECTRICAL PARAMETERS

接口类型 Interface Code type	芯数 Pins	针型 Male	额定电流 Rated current	额定电压 Rated voltage		导体规格 Conductor size		孔型 Female
				A/C	D/C	AWG	mm <sup>2</sup>	
X型 X-Code	8X		0.5A	50V	60V	26~24	0.14~0.25	
Y型 Y-Code	6Y		0.5A/12A	30V	30V	2x26AWG+ 4x20AWG	0.14~0.5	
	8Y							0.5A/6A

## M12(XY)·插板式芯位图 M12(XY) PCB PINS ARRANGEMENT



## M12(XY)·接线定义 M12(XY) WIRE DEFINITION

芯位 Pins	线芯颜色 Wire core color		
8X(8 Pins X-Code)			
1	WHOG		D1+
2	OG		D1-
3	WHGN		D2+
4	GN		D2-
5	WHBN		D4+
6	BN		D4-
7	WHBU		D3-
8	BU		D3+

芯位 Pins	线芯颜色 Wire core color		
6Y(6 Pins Y-Code)			
1	WHOG		D1+
2	OG		D1-
3	WHGN		D2+
4	GN		D2-
5	BU		D4+
6	WH		D4-


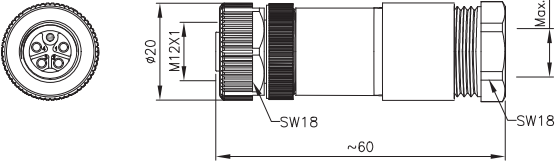

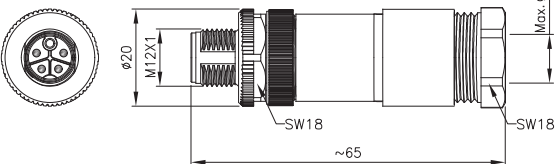

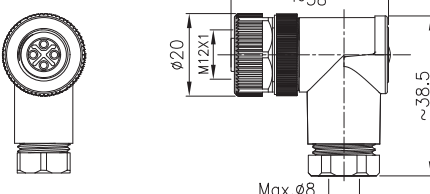

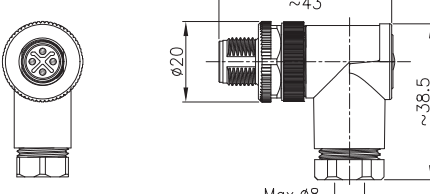

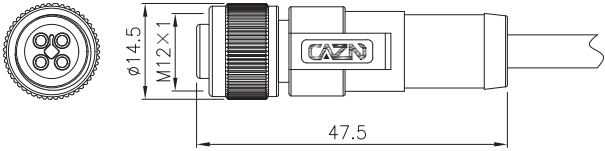

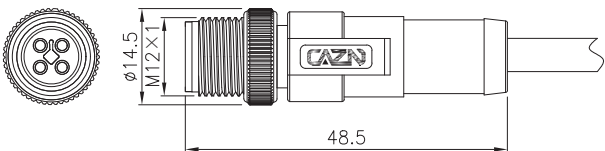
芯位 Pins	线芯颜色 Wire core color		
8Y(8 Pins Y-Code)			
1	WHOG		D1+
2	OG		D1-
3	WHGN		D2+
4	GN		D2-
5	BU		D4+
6	WH		D4-
7	BN		D3-
8	BK		D3+

\*接线定义按常规标准，如按协议或者其他请联系我司业务。


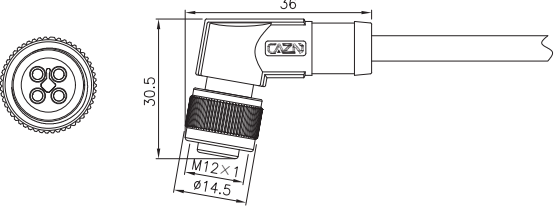

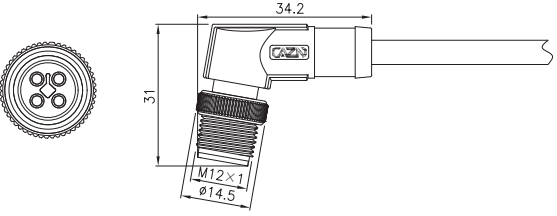

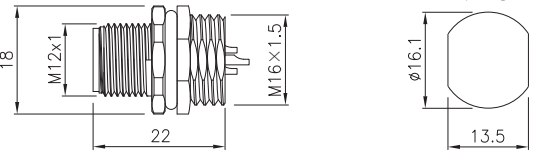

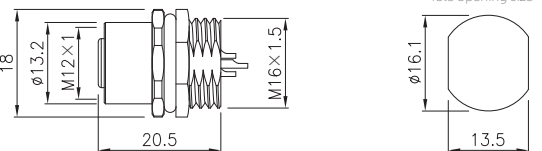

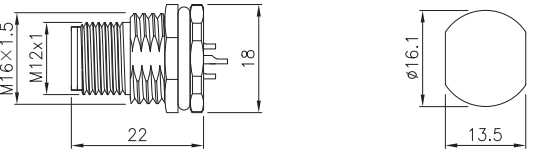

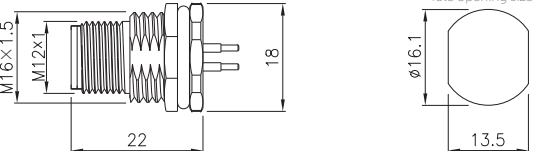

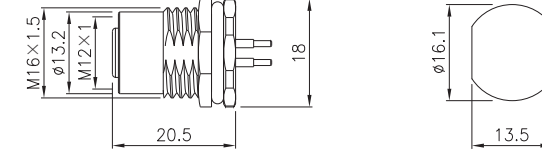
Wiring definition according to conventional standards, if according to the agreement or other please contact our sales.


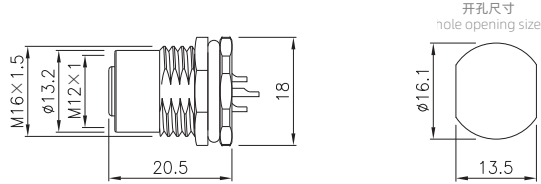

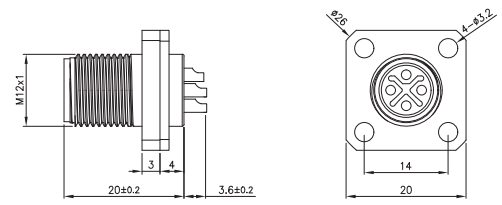
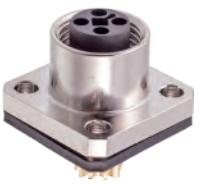
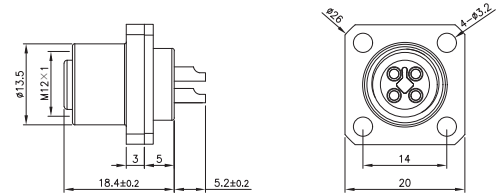
# M12电源型 —— STKLM型

M12 POWER TYPE -- STKLM CODE

产品图 PRODUCT FIGURE	名称/类型号 NAME/TYPE No.	尺寸图 DIMENSIONS																								
	<p>直式孔型塑胶组装式插头 电源型 螺钉式 M12 Straight Female Plastic Assembled Plug (Power type, Screw)</p> <p>M12 - S 2S - PLA P9</p> <table border="1" data-bbox="501 577 671 664"> <tr> <td>芯数:</td> <td>出线:</td> </tr> <tr> <td>S:2S 2PS 3PS</td> <td>P9:PG9</td> </tr> <tr> <td>T:2T 2PT 3PT</td> <td>P11:PG11</td> </tr> <tr> <td>K:2K 2PK 3PK 4PK</td> <td></td> </tr> <tr> <td>L:2L 2FL 3L 3FL 4L 4FL</td> <td></td> </tr> <tr> <td>M:2M 2PM 3PM 4PM 5PM</td> <td></td> </tr> </table>	芯数:	出线:	S:2S 2PS 3PS	P9:PG9	T:2T 2PT 3PT	P11:PG11	K:2K 2PK 3PK 4PK		L:2L 2FL 3L 3FL 4L 4FL		M:2M 2PM 3PM 4PM 5PM														
芯数:	出线:																									
S:2S 2PS 3PS	P9:PG9																									
T:2T 2PT 3PT	P11:PG11																									
K:2K 2PK 3PK 4PK																										
L:2L 2FL 3L 3FL 4L 4FL																										
M:2M 2PM 3PM 4PM 5PM																										
	<p>直式针型塑胶组装式插头 电源型 螺钉式 M12 Straight Male Plastic Assembled Plug (Power type, Screw)</p> <p>M12 - P 2S - PLA P9</p> <table border="1" data-bbox="501 842 671 929"> <tr> <td>芯数:</td> <td>出线:</td> </tr> <tr> <td>S:2S 2PS 3PS</td> <td>P9:PG9</td> </tr> <tr> <td>T:2T 2PT 3PT</td> <td>P11:PG11</td> </tr> <tr> <td>K:2K 2PK 3PK 4PK</td> <td></td> </tr> <tr> <td>L:2L 2FL 3L 3FL 4L 4FL</td> <td></td> </tr> <tr> <td>M:2M 2PM 3PM 4PM 5PM</td> <td></td> </tr> </table>	芯数:	出线:	S:2S 2PS 3PS	P9:PG9	T:2T 2PT 3PT	P11:PG11	K:2K 2PK 3PK 4PK		L:2L 2FL 3L 3FL 4L 4FL		M:2M 2PM 3PM 4PM 5PM														
芯数:	出线:																									
S:2S 2PS 3PS	P9:PG9																									
T:2T 2PT 3PT	P11:PG11																									
K:2K 2PK 3PK 4PK																										
L:2L 2FL 3L 3FL 4L 4FL																										
M:2M 2PM 3PM 4PM 5PM																										
	<p>弯式孔型塑胶组装式插头 电源型 螺钉式 PG9 M12 Angled Female Plastic Assembled Plug (Power type, Screw, PG9)</p> <p>M12 - S 2S - PWD P9</p> <table border="1" data-bbox="501 1108 624 1194"> <tr> <td>芯数:</td> </tr> <tr> <td>S:2S 2PS 3PS</td> </tr> <tr> <td>T:2T 2PT 3PT</td> </tr> <tr> <td>K:2K 2PK 3PK 4PK</td> </tr> <tr> <td>L:2L 2FL 3L 3FL 4L 4FL</td> </tr> <tr> <td>M:2M 2PM 3PM 4PM 5PM</td> </tr> </table>	芯数:	S:2S 2PS 3PS	T:2T 2PT 3PT	K:2K 2PK 3PK 4PK	L:2L 2FL 3L 3FL 4L 4FL	M:2M 2PM 3PM 4PM 5PM																			
芯数:																										
S:2S 2PS 3PS																										
T:2T 2PT 3PT																										
K:2K 2PK 3PK 4PK																										
L:2L 2FL 3L 3FL 4L 4FL																										
M:2M 2PM 3PM 4PM 5PM																										
	<p>弯式针型塑胶组装式插头 电源型 螺钉式 PG9 M12 Angled Male Plastic Assembled Plug (Power type, Screw, PG9)</p> <p>M12 - P 2S - PWD P9</p> <table border="1" data-bbox="501 1366 624 1453"> <tr> <td>芯数:</td> </tr> <tr> <td>S:2S 2PS 3PS</td> </tr> <tr> <td>T:2T 2PT 3PT</td> </tr> <tr> <td>K:2K 2PK 3PK 4PK</td> </tr> <tr> <td>L:2L 2FL 3L 3FL 4L 4FL</td> </tr> <tr> <td>M:2M 2PM 3PM 4PM 5PM</td> </tr> </table>	芯数:	S:2S 2PS 3PS	T:2T 2PT 3PT	K:2K 2PK 3PK 4PK	L:2L 2FL 3L 3FL 4L 4FL	M:2M 2PM 3PM 4PM 5PM																			
芯数:																										
S:2S 2PS 3PS																										
T:2T 2PT 3PT																										
K:2K 2PK 3PK 4PK																										
L:2L 2FL 3L 3FL 4L 4FL																										
M:2M 2PM 3PM 4PM 5PM																										
<p>非屏蔽款/Unshielded 屏蔽款/Shielded</p> 	<p>直式孔型成型插头 电源型 M12 Straight Female Plastic Plug (Power type)</p> <p>M12 - S 2S - MWA - 1 PV - S</p> <table border="1" data-bbox="501 1634 778 1720"> <tr> <td>芯数:</td> <td>线长(M):</td> <td>线材:</td> <td>S:屏蔽</td> </tr> <tr> <td>S:2S 2PS 3PS</td> <td>1:1M</td> <td>PV:PVC</td> <td>空:非屏蔽</td> </tr> <tr> <td>T:2T 2PT 3PT</td> <td>2.5:2.5M</td> <td>PU:PU</td> <td></td> </tr> <tr> <td>K:2K 2PK 3PK 4PK</td> <td>.....</td> <td>TF:铁氟龙</td> <td></td> </tr> <tr> <td>L:2L 2FL 3L 3FL 4L 4FL</td> <td></td> <td>PE:PE</td> <td></td> </tr> <tr> <td>M:2M 2PM 3PM 4PM 5PM</td> <td></td> <td></td> <td></td> </tr> </table>	芯数:	线长(M):	线材:	S:屏蔽	S:2S 2PS 3PS	1:1M	PV:PVC	空:非屏蔽	T:2T 2PT 3PT	2.5:2.5M	PU:PU		K:2K 2PK 3PK 4PK	.....	TF:铁氟龙		L:2L 2FL 3L 3FL 4L 4FL		PE:PE		M:2M 2PM 3PM 4PM 5PM				
芯数:	线长(M):	线材:	S:屏蔽																							
S:2S 2PS 3PS	1:1M	PV:PVC	空:非屏蔽																							
T:2T 2PT 3PT	2.5:2.5M	PU:PU																								
K:2K 2PK 3PK 4PK	.....	TF:铁氟龙																								
L:2L 2FL 3L 3FL 4L 4FL		PE:PE																								
M:2M 2PM 3PM 4PM 5PM																										
<p>非屏蔽款/Unshielded 屏蔽款/Shielded</p> 	<p>直式针型成型插头 电源型 M12 Straight Male Plastic Plug (Power type)</p> <p>M12 - P 2S - MWA - 1 PV - S</p> <table border="1" data-bbox="501 1897 778 1983"> <tr> <td>芯数:</td> <td>线长(M):</td> <td>线材:</td> <td>S:屏蔽</td> </tr> <tr> <td>S:2S 2PS 3PS</td> <td>1:1M</td> <td>PV:PVC</td> <td>空:非屏蔽</td> </tr> <tr> <td>T:2T 2PT 3PT</td> <td>2.5:2.5M</td> <td>PU:PU</td> <td></td> </tr> <tr> <td>K:2K 2PK 3PK 4PK</td> <td>.....</td> <td>TF:铁氟龙</td> <td></td> </tr> <tr> <td>L:2L 2FL 3L 3FL 4L 4FL</td> <td></td> <td>PE:PE</td> <td></td> </tr> <tr> <td>M:2M 2PM 3PM 4PM 5PM</td> <td></td> <td></td> <td></td> </tr> </table>	芯数:	线长(M):	线材:	S:屏蔽	S:2S 2PS 3PS	1:1M	PV:PVC	空:非屏蔽	T:2T 2PT 3PT	2.5:2.5M	PU:PU		K:2K 2PK 3PK 4PK	.....	TF:铁氟龙		L:2L 2FL 3L 3FL 4L 4FL		PE:PE		M:2M 2PM 3PM 4PM 5PM				
芯数:	线长(M):	线材:	S:屏蔽																							
S:2S 2PS 3PS	1:1M	PV:PVC	空:非屏蔽																							
T:2T 2PT 3PT	2.5:2.5M	PU:PU																								
K:2K 2PK 3PK 4PK	.....	TF:铁氟龙																								
L:2L 2FL 3L 3FL 4L 4FL		PE:PE																								
M:2M 2PM 3PM 4PM 5PM																										








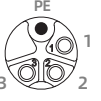

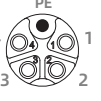



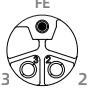

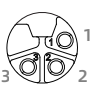

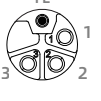


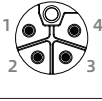
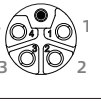




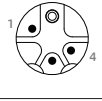
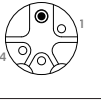
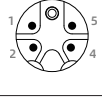
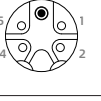
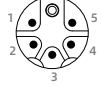
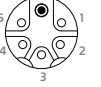
<b>产品图</b> PRODUCT FIGURE	<b>名称/类型号</b> NAME/TYPE No.	<b>尺寸图</b> DIMENSIONS				
 <p>非屏蔽款/Unshielded 屏蔽款/Shielded</p>	<p><b>弯式孔型成型插头 电源型</b>  <b>M12 Angled Female Overmolded Plug (Power type)</b></p> <p>M12 - S 2S - MWD - 1 PV - S</p> <table border="1" data-bbox="502 312 782 398"> <tr> <td>芯数: S:2S 2PS 3PS T:2T 2PT 3PT K:2K 2PK 3PK 4PK L:2L 2FL 3L 3FL 4L 4FL M:2M 2PM 3PM 4PM 5PM</td> <td>线长(M): 1:1M 2.5:2.5M .....</td> <td>线材: PV:PVC PU:PU TF:铁氟龙 PE:PE</td> <td>S:屏蔽 空:非屏蔽</td> </tr> </table>	芯数: S:2S 2PS 3PS T:2T 2PT 3PT K:2K 2PK 3PK 4PK L:2L 2FL 3L 3FL 4L 4FL M:2M 2PM 3PM 4PM 5PM	线长(M): 1:1M 2.5:2.5M .....	线材: PV:PVC PU:PU TF:铁氟龙 PE:PE	S:屏蔽 空:非屏蔽	 <p>36 30.5 M12x1 Ø14.5</p>
芯数: S:2S 2PS 3PS T:2T 2PT 3PT K:2K 2PK 3PK 4PK L:2L 2FL 3L 3FL 4L 4FL M:2M 2PM 3PM 4PM 5PM	线长(M): 1:1M 2.5:2.5M .....	线材: PV:PVC PU:PU TF:铁氟龙 PE:PE	S:屏蔽 空:非屏蔽			
 <p>非屏蔽款/Unshielded 屏蔽款/Shielded</p>	<p><b>弯式针型成型插头 电源型</b>  <b>M12 Angled Male Overmolded Plug (Power type)</b></p> <p>M12 - P 2S - MWD - 1 PV - S</p> <table border="1" data-bbox="502 571 782 657"> <tr> <td>芯数: S:2S 2PS 3PS T:2T 2PT 3PT K:2K 2PK 3PK 4PK L:2L 2FL 3L 3FL 4L 4FL M:2M 2PM 3PM 4PM 5PM</td> <td>线长(M): 1:1M 2.5:2.5M .....</td> <td>线材: PV:PVC PU:PU TF:铁氟龙 PE:PE</td> <td>S:屏蔽 空:非屏蔽</td> </tr> </table>	芯数: S:2S 2PS 3PS T:2T 2PT 3PT K:2K 2PK 3PK 4PK L:2L 2FL 3L 3FL 4L 4FL M:2M 2PM 3PM 4PM 5PM	线长(M): 1:1M 2.5:2.5M .....	线材: PV:PVC PU:PU TF:铁氟龙 PE:PE	S:屏蔽 空:非屏蔽	 <p>34.2 31 M12x1 Ø14.5</p>
芯数: S:2S 2PS 3PS T:2T 2PT 3PT K:2K 2PK 3PK 4PK L:2L 2FL 3L 3FL 4L 4FL M:2M 2PM 3PM 4PM 5PM	线长(M): 1:1M 2.5:2.5M .....	线材: PV:PVC PU:PU TF:铁氟龙 PE:PE	S:屏蔽 空:非屏蔽			
	<p><b>板前安装针型插座 电源型 焊线式 螺牙M16x1.5</b>  <b>M12 Male Front Mount Socket (Power type, Solder, Screw M16*1.5)</b></p> <p>M12 - P 2S - GWB M16</p> <table border="1" data-bbox="502 840 622 927"> <tr> <td>芯数: S:2S 2PS 3PS T:2T 2PT 3PT K:2K 2PK 3PK 4PK L:2L 2FL 3L 3FL 4L 4FL M:2M 2PM 3PM 4PM 5PM</td> </tr> </table>	芯数: S:2S 2PS 3PS T:2T 2PT 3PT K:2K 2PK 3PK 4PK L:2L 2FL 3L 3FL 4L 4FL M:2M 2PM 3PM 4PM 5PM	 <p>18 M12x1 22 M16x1.5 开孔尺寸 nole opening size Ø16.1 13.5</p>			
芯数: S:2S 2PS 3PS T:2T 2PT 3PT K:2K 2PK 3PK 4PK L:2L 2FL 3L 3FL 4L 4FL M:2M 2PM 3PM 4PM 5PM						
	<p><b>板前安装孔型插座 电源型 焊线式 螺牙M16x1.5</b>  <b>M12 Female Front Mount Socket (Power type, Solder, Screw M16*1.5)</b></p> <p>M12 - S 2S - GWB M16</p> <table border="1" data-bbox="502 1099 622 1185"> <tr> <td>芯数: S:2S 2PS 3PS T:2T 2PT 3PT K:2K 2PK 3PK 4PK L:2L 2FL 3L 3FL 4L 4FL M:2M 2PM 3PM 4PM 5PM</td> </tr> </table>	芯数: S:2S 2PS 3PS T:2T 2PT 3PT K:2K 2PK 3PK 4PK L:2L 2FL 3L 3FL 4L 4FL M:2M 2PM 3PM 4PM 5PM	 <p>18 Ø13.2 M12x1 20.5 M16x1.5 开孔尺寸 nole opening size Ø16.1 13.5</p>			
芯数: S:2S 2PS 3PS T:2T 2PT 3PT K:2K 2PK 3PK 4PK L:2L 2FL 3L 3FL 4L 4FL M:2M 2PM 3PM 4PM 5PM						
	<p><b>板后安装针型插座 电源型 焊线式 螺牙M16x1.5</b>  <b>M12 Male Back Mount Socket (Power type, Solder, Screw M16*1.5)</b></p> <p>M12 - P 2S - GWF M16</p> <table border="1" data-bbox="502 1369 622 1455"> <tr> <td>芯数: S:2S 2PS 3PS T:2T 2PT 3PT K:2K 2PK 3PK 4PK L:2L 2FL 3L 3FL 4L 4FL M:2M 2PM 3PM 4PM 5PM</td> </tr> </table>	芯数: S:2S 2PS 3PS T:2T 2PT 3PT K:2K 2PK 3PK 4PK L:2L 2FL 3L 3FL 4L 4FL M:2M 2PM 3PM 4PM 5PM	 <p>M16x1.5 M12x1 18 22 开孔尺寸 nole opening size Ø16.1 13.5</p>			
芯数: S:2S 2PS 3PS T:2T 2PT 3PT K:2K 2PK 3PK 4PK L:2L 2FL 3L 3FL 4L 4FL M:2M 2PM 3PM 4PM 5PM						
	<p><b>板后安装针型插座 电源型 插板式 螺牙M16x1.5</b>  <b>M12 Male Back Mount Socket (Power type, PCB, Screw M16*1.5)</b></p> <p>M12 - P 2S - GPF M16</p> <table border="1" data-bbox="502 1627 622 1714"> <tr> <td>芯数: S:2S 2PS 3PS T:2T 2PT 3PT K:2K 2PK 3PK 4PK L:2L 2FL 3L 3FL 4L 4FL M:2M 2PM 3PM 4PM 5PM</td> </tr> </table>	芯数: S:2S 2PS 3PS T:2T 2PT 3PT K:2K 2PK 3PK 4PK L:2L 2FL 3L 3FL 4L 4FL M:2M 2PM 3PM 4PM 5PM	 <p>M16x1.5 M12x1 18 22 开孔尺寸 nole opening size Ø16.1 13.5</p>			
芯数: S:2S 2PS 3PS T:2T 2PT 3PT K:2K 2PK 3PK 4PK L:2L 2FL 3L 3FL 4L 4FL M:2M 2PM 3PM 4PM 5PM						
	<p><b>板后安装孔型插座 电源型 插板式 螺牙M16x1.5</b>  <b>M12 Female Back Mount Socket (Power type, PCB, Screw M16*1.5)</b></p> <p>M12 - S 2S - GPF M16</p> <table border="1" data-bbox="502 1886 622 1972"> <tr> <td>芯数: S:2S 2PS 3PS T:2T 2PT 3PT K:2K 2PK 3PK 4PK L:2L 2FL 3L 3FL 4L 4FL M:2M 2PM 3PM 4PM 5PM</td> </tr> </table>	芯数: S:2S 2PS 3PS T:2T 2PT 3PT K:2K 2PK 3PK 4PK L:2L 2FL 3L 3FL 4L 4FL M:2M 2PM 3PM 4PM 5PM	 <p>M16x1.5 Ø13.2 M12x1 20.5 18 开孔尺寸 nole opening size Ø16.1 13.5</p>			
芯数: S:2S 2PS 3PS T:2T 2PT 3PT K:2K 2PK 3PK 4PK L:2L 2FL 3L 3FL 4L 4FL M:2M 2PM 3PM 4PM 5PM						

产品图 PRODUCT FIGURE	名称/型号 NAME/TYPE No.	尺寸图 DIMENSIONS
	<b>板后安装孔型插座</b> 电源型 焊线式 螺牙M16x1.5 <b>M12 Female Back Mount Socket</b> (Power type, Solder, Screw M16*1.5)  <b>M12 - S 2S - GWF M16</b> 芯数: S:2S 2P5 3P5 T:2T 2PT 3PT K:2K 2PK 3PK 4PK L:2L 2FL 3L 3FL 4L 4FL M:2M 2PM 3PM 4PM 5PM	 开孔尺寸 hole opening size 16.1 13.5 18 20.5 M16x1.5 13.2 M12x1
	<b>方形法兰针型插座</b> 电源型 焊线式 14x14 <b>M12 Square Flange Male Socket</b> (Power type, Solder, 14*14)  <b>M12 - P 2S - GWH</b> 芯数: S:2S 2P5 3P5 T:2T 2PT 3PT K:2K 2PK 3PK 4PK L:2L 2FL 3L 3FL 4L 4FL M:2M 2PM 3PM 4PM 5PM	 20±0.2 3 4 3.6±0.2 M12x1 20 14 14±0.2 14±0.2
	<b>方形法兰孔型插座</b> 电源型 焊线式 14x14 <b>M12 Square Flange Female Socket</b> (Power type, Solder, 14*14)  <b>M12 - S 2S - GWH</b> 芯数: S:2S 2P5 3P5 T:2T 2PT 3PT K:2K 2PK 3PK 4PK L:2L 2FL 3L 3FL 4L 4FL M:2M 2PM 3PM 4PM 5PM	 18.4±0.2 5 5.2±0.2 M12x1 14 20 14±0.2 14±0.2

## M12(ST)·电气参数 M12(ST) ELECTRICAL PARAMETERS

接口类型 Interface Code type	芯数 Pins	针型 Male	额定电流 Rated current	额定电压 Rated voltage		导体规格 Conductor size		孔型 Female
				A/C	D/C	AWG	mm <sup>2</sup>	
S型 S-Code	2		12A	630V	630V	16	1.5	
	2+PE		12A	630V	630V	16	1.5	
	3+PE		12A	630V	630V	16	1.5	
T型 T-Code	2		12A	60V	60V	16	1.5	
	2+PE		12A	60V	60V	16	1.5	
	3+PE		12A	60V	60V	16	1.5	

M12(LKM)·电气参数 M12(LKM) ELECTRICAL PARAMETERS

接口类型 Interface Code type	芯数 Pins	针型 Male	额定电流 Rated current	额定电压 Rated voltage		导体规格 Conductor size		孔型 Female
				A/C	D/C	AWG	mm <sup>2</sup>	
K型 K-Code	2		16A	800V	800V	16	2.5	
	2+PE		16A	800V	800V	16	2.5	
	3+PE		16A	800V	800V	16	2.5	
	4+PE		16A	800V	800V	16	2.5	
L型 L-Code	2		16A	63V	63V	14	2.5	
	2+FE		16A	63V	63V	14	2.5	
	3		16A	63V	63V	14	2.5	
	3+FE		16A	63V	63V	14	2.5	
	4		16A	63V	63V	14	2.5	
	4+FE		16A	63V	63V	14	2.5	
M型 M-Code	2		8A	630V	630V	16	1.5	
	2+PE		8A	630V	630V	16	1.5	
	3+PE		8A	630V	630V	16	1.5	
	4+PE		8A	630V	630V	16	1.5	
	5+PE		8A	630V	630V	16	1.5	

## M12(STLK)-插板式芯位图 M12(STLK) PCB PINS ARRANGEMENT

芯数 Pins	2T	3S	3T	4S	4T
针型 插板式芯位分布图 Male PCB Pins Arrangement					
	3K/3L		4K/4L		5K/5L
芯数 Pins	2T	3S	3T	4S	4T
孔型 插板式芯位分布图 Female PCB Pins Arrangement					
	3K/3L		4K/4L		5K/5L

## M12(STLKM)-接线定义 M12(STLKM) WIRE DEFINITION

芯位 Pins	线芯颜色 Wire core color
	2+PE, S编码(S-Code)
1	BK1
2	BK2
PE	GNYE

芯位 Pins	线芯颜色 Wire core color
	4芯, T编码(4 Pins T-Code)
1	BN
2	WH
3	BU
4	BK

芯位 Pins	线芯颜色 Wire core color
	4+PE, K编码(K-Code)
1	BK1
2	BK2
3	BK3
4	BK4
PE	GNYE

芯位 Pins	线芯颜色 Wire core color
	5+PE, M编码(M-Code)
1	BK1
2	BK2
3	BK3
4	BK4
5	BK5
PE	GNYE

芯位 Pins	线芯颜色 Wire core color
	3+PE, S编码(S-Code)
1	BK1
2	BK2
3	BK3
PE	GNYE

芯位 Pins	线芯颜色 Wire core color
	4/4+PE, L编码(L-Code)
1	BN
2	WH
3	BU
4	BK
FE*	GY

\*省略4芯(Omit 4 pins)

\*接线定义按常规标准, 如按协议或者其他请联系我司业务。

Wiring definition according to conventional standards, if according to the agreement or other please contact our sales.

# M14系列 M14 SERIE

大部分连接器360°全屏蔽

Most connectors are excellent for full shielding at 360 degrees

插头：注塑带电缆式（长度可任意定制）

Plug: Overmolded cable type (length can be customized at will)

插座：板前安装、板后安装焊线及PCB板式

Socket: Front Mount Solder Type, Back Mount Solder Type and PCB board type

防水等级：IP65、IP67

Waterproof grade: IP65、IP67

产品芯数：18芯

Pins Number: 18 pins


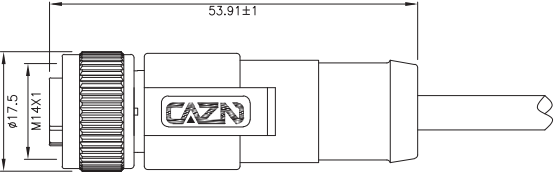

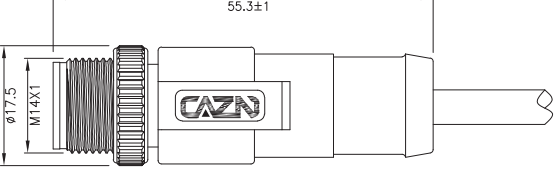

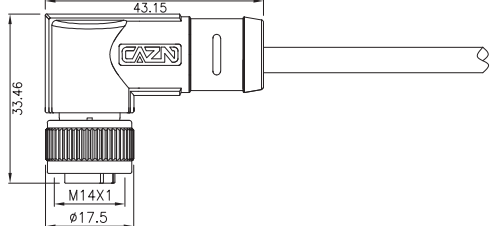

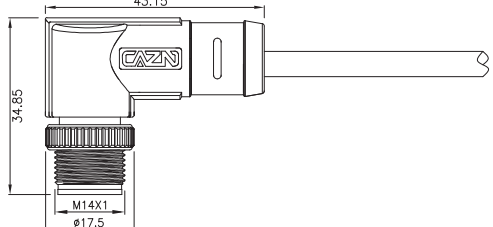

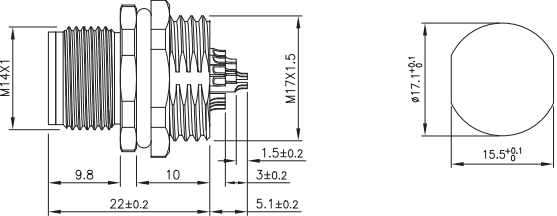

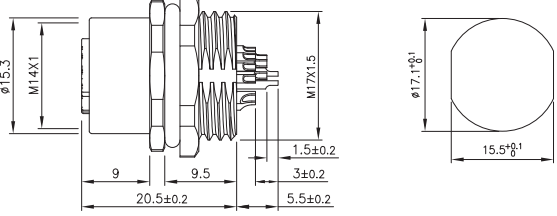

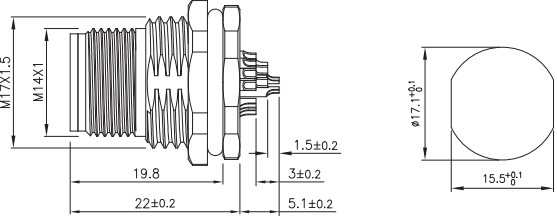
产品符合 IPC-A-620 标准

Products comply with standard



## 产品参数 PRODUCT PARAMETERS

壳体材料 Shell material	黄铜/黄铜镀镍 Brass/Brass nickel plated	污染等级 Pollution level	3
密封材料 Sealing material	环氧树脂/橡胶 Epoxy resin/Rubber	接触阻抗 Contact impedance	$\leq 5m\Omega$
插针材料 Contact material	黄铜/磷铜镀金 Brass/Phosphorus copper gold-plated	插拔次数 Durability	$\geq 500$ 次(Cycles)
胶芯材料 Insulator material	PA66	适用温度 Applicable temperature	-25°C ~ +80°C
成型材料 Molding material	TPU/PVC	绝缘阻抗 Insulation impedance	$\geq 100M\Omega$

<b>产品图</b> PRODUCT FIGURE	<b>名称/类型号</b> NAME/TYPE No.	<b>尺寸图</b> DIMENSIONS										
	<b>直式孔型成型插头</b> <b>M14 Straight Female Overmolded Plug</b>  <b>M14 - S 18 - MWA - 1 PV</b> <table border="1" data-bbox="582 312 686 388"> <tr> <td>线长(M):</td> <td>线材:</td> </tr> <tr> <td>1:1M</td> <td>PV:PVC</td> </tr> <tr> <td>2.5:2.5M</td> <td>PU:PU</td> </tr> <tr> <td>.....</td> <td>TF:铁氟龙</td> </tr> <tr> <td></td> <td>PE:PE</td> </tr> </table>	线长(M):	线材:	1:1M	PV:PVC	2.5:2.5M	PU:PU	.....	TF:铁氟龙		PE:PE	
线长(M):	线材:											
1:1M	PV:PVC											
2.5:2.5M	PU:PU											
.....	TF:铁氟龙											
	PE:PE											
	<b>直式针型成型插头</b> <b>M14 Straight Male Overmolded Plug</b>  <b>M14 - P 18 - MWA - 1 PV</b> <table border="1" data-bbox="582 571 686 646"> <tr> <td>线长(M):</td> <td>线材:</td> </tr> <tr> <td>1:1M</td> <td>PV:PVC</td> </tr> <tr> <td>2.5:2.5M</td> <td>PU:PU</td> </tr> <tr> <td>.....</td> <td>TF:铁氟龙</td> </tr> <tr> <td></td> <td>PE:PE</td> </tr> </table>	线长(M):	线材:	1:1M	PV:PVC	2.5:2.5M	PU:PU	.....	TF:铁氟龙		PE:PE	
线长(M):	线材:											
1:1M	PV:PVC											
2.5:2.5M	PU:PU											
.....	TF:铁氟龙											
	PE:PE											
	<b>弯式孔型成型插头</b> <b>M14 Angled Female Overmolded Plug</b>  <b>M14 - S 18 - MWD - 1 PV</b> <table border="1" data-bbox="582 830 686 905"> <tr> <td>线长(M):</td> <td>线材:</td> </tr> <tr> <td>1:1M</td> <td>PV:PVC</td> </tr> <tr> <td>2.5:2.5M</td> <td>PU:PU</td> </tr> <tr> <td>.....</td> <td>TF:铁氟龙</td> </tr> <tr> <td></td> <td>PE:PE</td> </tr> </table>	线长(M):	线材:	1:1M	PV:PVC	2.5:2.5M	PU:PU	.....	TF:铁氟龙		PE:PE	
线长(M):	线材:											
1:1M	PV:PVC											
2.5:2.5M	PU:PU											
.....	TF:铁氟龙											
	PE:PE											
	<b>弯式针型成型插头</b> <b>M14 Angled Male Overmolded Plug</b>  <b>M14 - P 18 - MWD - 1 PV</b> <table border="1" data-bbox="582 1088 686 1164"> <tr> <td>线长(M):</td> <td>线材:</td> </tr> <tr> <td>1:1M</td> <td>PV:PVC</td> </tr> <tr> <td>2.5:2.5M</td> <td>PU:PU</td> </tr> <tr> <td>.....</td> <td>TF:铁氟龙</td> </tr> <tr> <td></td> <td>PE:PE</td> </tr> </table>	线长(M):	线材:	1:1M	PV:PVC	2.5:2.5M	PU:PU	.....	TF:铁氟龙		PE:PE	
线长(M):	线材:											
1:1M	PV:PVC											
2.5:2.5M	PU:PU											
.....	TF:铁氟龙											
	PE:PE											
	<b>板前安装针型插座</b> 焊线式 螺母M17x1.5 <b>M14 Male Front Mount Socket (Solder, Screw M17*1.5)</b>  <b>M14 - P 18 - GWB M17</b>											
	<b>板前安装孔型插座</b> 焊线式 螺母M17x1.5 <b>M14 Female Front Mount Socket (Solder, Screw M17*1.5)</b>  <b>M14 - S 18 - GWB M17</b>											
	<b>板后安装针型插座</b> 焊线式 螺母M17x1.5 <b>M14 Male Back Mount Socket (Solder, Screw M17*1.5)</b>  <b>M14 - P 18 - GWF M17</b>											

产品图 PRODUCT FIGURE	名称/类型号 NAME/TYPE No.	尺寸图 DIMENSIONS	
	板后安装针型插座 插板式 M14 Male Back Mount Socket (PCB)  M14 - P 18 - GPF M17		
	板后安装孔型插座 焊线式 螺钉M17x1.5 M14 Female Back Mount Socket (Solder, Screw M17*1.5)  M14 - S 18 - GWF M17		
	板后安装孔型插座 插板式 M14 Female Back Mount Socket (PCB)  M14 - S 18 - GPF M17		

### M14·电气参数 M14 ELECTRICAL PARAMETERS

芯数 Pins	针型 Male	额定电流 Rated current	额定电压 Rated voltage		导体规格 Conductor size		孔型 Female
			A/C	D/C	AWG	mm <sup>2</sup>	
5		12A	630V	630V	16	1.5	
8		5A	60V	60V	16	1.5	
10		5A	60V	60V	16	1.5	
12		2A/5A	30V	250V	16	1.5	
14		1A/5A	30V	250V	26/22	1.0/1.3	
16		1A/5A	30V	250V	26/22	1.0/1.3	
18		1A/5A	30V	250V	26/22	1.0/1.3	

# M16系列 M16 SERIE

产品符合IEC 61076-2-106-2012 AISG标准

Products comply with IEC 61076-2-106-2012 AISG Standard

大部分连接器360°全屏蔽

Most connectors are excellent for full shielding at 360 degrees

插头：组装式，注塑带电缆式（长度可任意定制）

Plug: assembly, Overmolded cable type (length can be customized at will)

插座：板前安装、板后安装、焊线式及PCB板式

Socket: Front Mount Solder Type, Back Mount Solder Type and PCB board type

防水等级：IP65、IP67

Waterproof grade: IP65、IP67

产品芯数：2~24芯


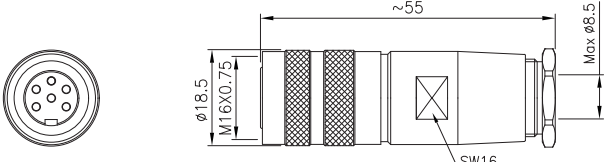

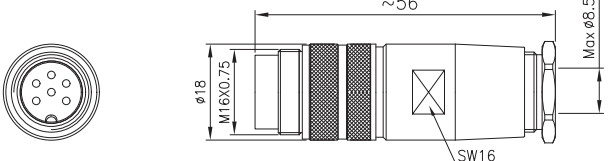

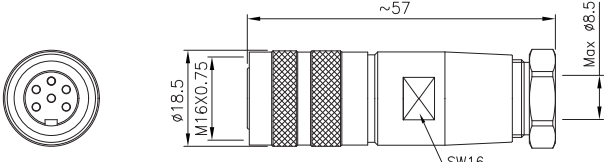

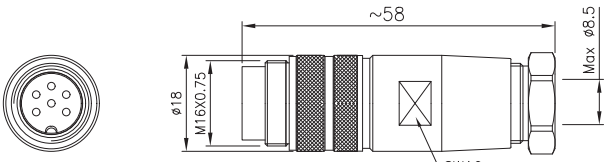

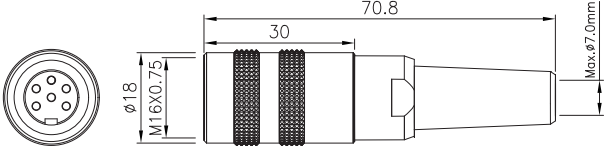

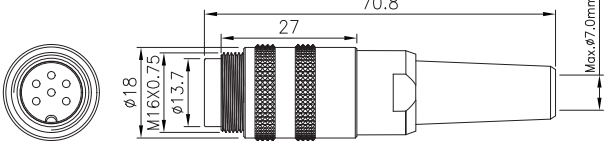

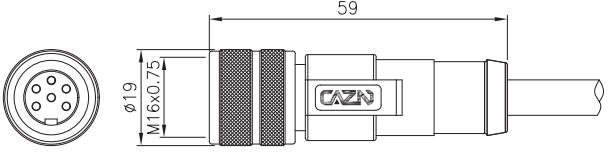
Pins Number: 2-24 pins


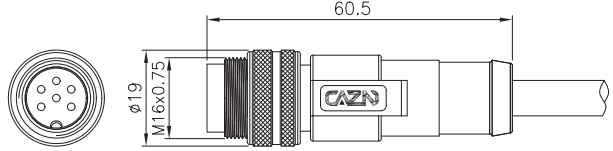

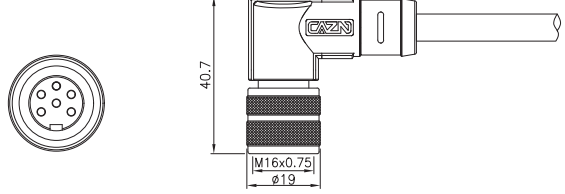

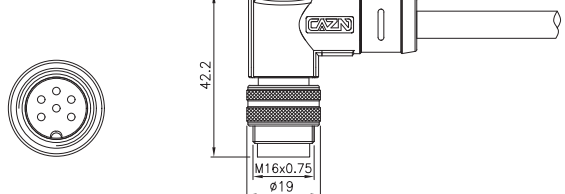

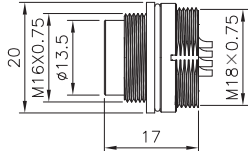

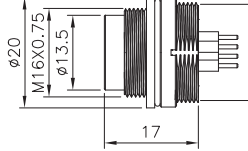

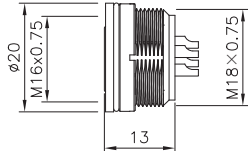

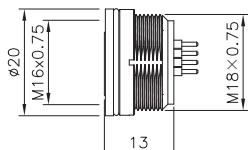



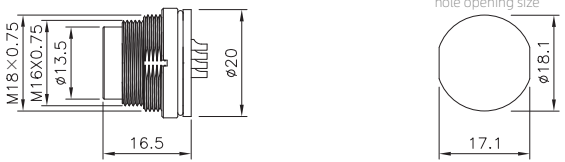

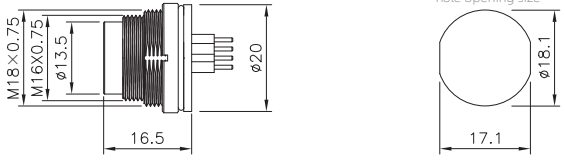

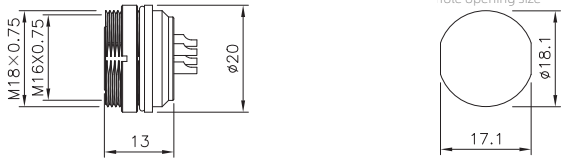

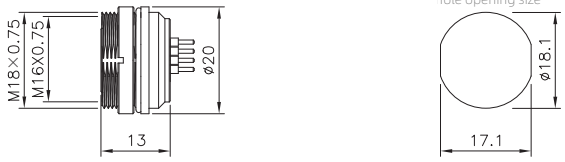

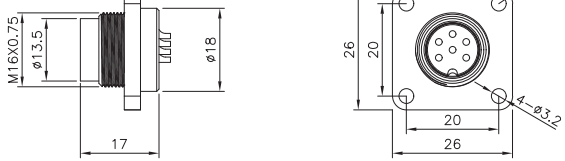

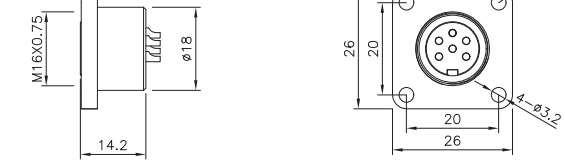
## 产品参数 PRODUCT PARAMETERS

壳体材料 Shell material	黄铜/锌合金度镍/黄铜镀镍 Brass/Zinc alloy nickel/Brass nickel plated	接触阻抗 Contact impedance	≤5mΩ
密封材料 Sealing material	环氧树脂/橡胶 Epoxy resin/Rubber	插拔次数 Durability	≥500次(Cycles)
插针材料 Contact material	黄铜/磷铜镀金 Brass/Phosphorus copper gold-plated	接线范围 Wiring range	PG7:4~6mm; PG9:6~8mm
胶芯材料 Insulator material	PA66	适用温度 Applicable temperature	-25°C ~ +80°C
成型材料 Molding material	TPU/PVC		



<b>产品图</b> PRODUCT FIGURE	<b>名称/类型号</b> NAME/TYPE No.	<b>尺寸图</b> DIMENSIONS
	<b>直式孔型金属组装式插头 焊线式</b> M16 Straight Female Metal Assembled Plug (Solder)  <b>M16 - S 19 - GWA P7</b> 芯数: 2 3 4 5 6 常规: 7 8 12 14 16 19 24 A:SA 7A 14A 出线: P7:PG7 P9:PG9	
	<b>直式针型金属组装式插头 焊线式</b> M16 Straight Male Metal Assembled Plug (Solder)  <b>M16 - P 19 - GWA P7</b> 芯数: 2 3 4 5 6 常规: 7 8 12 14 16 19 24 A:SA 7A 14A 出线: P7:PG7 P9:PG9	
	<b>直式孔型金属组装式插头 压接式</b> M16 Straight Female Metal Assembled Plug (Crimp)  <b>M16 - S 19 - GCA P7 - PL</b> 芯数: 2 3 4 5 6 常规: 7 8 12 14 16 19 24 A:SA 7A 14A 出线: P7:PG7 P9:PG9	
	<b>直式针型金属组装式插头 压接式</b> M16 Straight Male Metal Assembled Plug (Crimp)  <b>M16 - P 19 - GCA P7 - PL</b> 芯数: 2 3 4 5 6 常规: 7 8 12 14 16 19 24 A:SA 7A 14A 出线: P7:PG7 P9:PG9	
	<b>直式孔型塑胶组装式插头 焊线式 尾管</b> M16 Straight Female Assembled Plug (Solder, Plastic tube)  <b>M16 - S 19 - PWA 07 - PT</b> 芯数: 2 3 4 5 6 常规: 7 8 12 14 16 19 24 A:SA 7A 14A	
	<b>直式针型塑胶组装式插头 焊线式 尾管</b> M16 Straight Male Assembled Plug (Solder, Plastic tube)  <b>M16 - P 19 - PWA 07 - PT</b> 芯数: 2 3 4 5 6 常规: 7 8 12 14 16 19 24 A:SA 7A 14A	
<b>非屏蔽款/Unshielded</b> <b>屏蔽款/Shielded</b> 	<b>直式孔型成型插头</b> M16 Straight Female Overmolded Plug  <b>M16 - S 19 - MWA - 1 PV - S</b> 芯数: 2 3 4 5 6 常规: 7 8 12 14 16 19 24 A:SA 7A 14A 线长(M): 1:1M 2.5:2.5M ..... 线材: PV:PVC PU:PU TP:铁氟龙 PE:PE S:屏蔽 空:非屏蔽	

<b>产品图</b> PRODUCT FIGURE	<b>名称/类型号</b> NAME/TYPE NO.	<b>尺寸图</b> DIMENSIONS																				
 <p>非屏蔽款/Unshielded 屏蔽款/Shielded</p>	<p><b>直式针型成型插头</b> M16 Straight Male Overmolded Plug</p> <p>M16 - P 19 - MWA - 1 PV - S</p> <table border="1" data-bbox="523 312 758 388"> <tr> <td>芯数:</td> <td>线长(M):</td> <td>线材:</td> <td>S:屏蔽</td> </tr> <tr> <td>常规: 2 3 4 5 6</td> <td>1:1M</td> <td>PV:PVC</td> <td>空:非屏蔽</td> </tr> <tr> <td>7 8 12 14 16</td> <td>2.5:2.5M</td> <td>PU:PU</td> <td></td> </tr> <tr> <td>19 24</td> <td>.....</td> <td>TF:铁氟龙</td> <td></td> </tr> <tr> <td>A:5A 7A 14A</td> <td></td> <td>PE:PE</td> <td></td> </tr> </table>	芯数:	线长(M):	线材:	S:屏蔽	常规: 2 3 4 5 6	1:1M	PV:PVC	空:非屏蔽	7 8 12 14 16	2.5:2.5M	PU:PU		19 24	.....	TF:铁氟龙		A:5A 7A 14A		PE:PE		 <p>60.5</p> <p>ø19</p> <p>M16x0.75</p>
芯数:	线长(M):	线材:	S:屏蔽																			
常规: 2 3 4 5 6	1:1M	PV:PVC	空:非屏蔽																			
7 8 12 14 16	2.5:2.5M	PU:PU																				
19 24	.....	TF:铁氟龙																				
A:5A 7A 14A		PE:PE																				
 <p>非屏蔽款/Unshielded 屏蔽款/Shielded</p>	<p><b>弯式孔型成型插头</b> M16 Angled Female Overmolded Plug</p> <p>M16 - S 19 - MWD - 1 PV - S</p> <table border="1" data-bbox="523 571 758 646"> <tr> <td>芯数:</td> <td>线长(M):</td> <td>线材:</td> <td>S:屏蔽</td> </tr> <tr> <td>常规: 2 3 4 5 6</td> <td>1:1M</td> <td>PV:PVC</td> <td>空:非屏蔽</td> </tr> <tr> <td>7 8 12 14 16</td> <td>2.5:2.5M</td> <td>PU:PU</td> <td></td> </tr> <tr> <td>19 24</td> <td>.....</td> <td>TF:铁氟龙</td> <td></td> </tr> <tr> <td>A:5A 7A 14A</td> <td></td> <td>PE:PE</td> <td></td> </tr> </table>	芯数:	线长(M):	线材:	S:屏蔽	常规: 2 3 4 5 6	1:1M	PV:PVC	空:非屏蔽	7 8 12 14 16	2.5:2.5M	PU:PU		19 24	.....	TF:铁氟龙		A:5A 7A 14A		PE:PE		 <p>43.5</p> <p>40.7</p> <p>M16x0.75</p> <p>ø19</p>
芯数:	线长(M):	线材:	S:屏蔽																			
常规: 2 3 4 5 6	1:1M	PV:PVC	空:非屏蔽																			
7 8 12 14 16	2.5:2.5M	PU:PU																				
19 24	.....	TF:铁氟龙																				
A:5A 7A 14A		PE:PE																				
 <p>非屏蔽款/Unshielded 屏蔽款/Shielded</p>	<p><b>弯式针型成型插头</b> M16 Angled Male Overmolded Plug</p> <p>M16 - P 19 - MWD - 1 PV - S</p> <table border="1" data-bbox="523 830 758 905"> <tr> <td>芯数:</td> <td>线长(M):</td> <td>线材:</td> <td>S:屏蔽</td> </tr> <tr> <td>常规: 2 3 4 5 6</td> <td>1:1M</td> <td>PV:PVC</td> <td>空:非屏蔽</td> </tr> <tr> <td>7 8 12 14 16</td> <td>2.5:2.5M</td> <td>PU:PU</td> <td></td> </tr> <tr> <td>19 24</td> <td>.....</td> <td>TF:铁氟龙</td> <td></td> </tr> <tr> <td>A:5A 7A 14A</td> <td></td> <td>PE:PE</td> <td></td> </tr> </table>	芯数:	线长(M):	线材:	S:屏蔽	常规: 2 3 4 5 6	1:1M	PV:PVC	空:非屏蔽	7 8 12 14 16	2.5:2.5M	PU:PU		19 24	.....	TF:铁氟龙		A:5A 7A 14A		PE:PE		 <p>43.5</p> <p>42.2</p> <p>M16x0.75</p> <p>ø19</p>
芯数:	线长(M):	线材:	S:屏蔽																			
常规: 2 3 4 5 6	1:1M	PV:PVC	空:非屏蔽																			
7 8 12 14 16	2.5:2.5M	PU:PU																				
19 24	.....	TF:铁氟龙																				
A:5A 7A 14A		PE:PE																				
 <p>非屏蔽款/Unshielded 屏蔽款/Shielded</p>	<p><b>板前安装针型插座</b> 焊线式 螺牙M18*0.75 M16 Male Front Mount Socket (Solder, Screw M18*0.75)</p> <p>M16 - P 19 - GWB M18</p> <table border="1" data-bbox="523 1099 598 1175"> <tr> <td>芯数:</td> </tr> <tr> <td>常规: 2 3 4 5 6</td> </tr> <tr> <td>7 8 12 14 16</td> </tr> <tr> <td>19 24</td> </tr> <tr> <td>A:5A 7A 14A</td> </tr> </table>	芯数:	常规: 2 3 4 5 6	7 8 12 14 16	19 24	A:5A 7A 14A	 <p>20</p> <p>M16x0.75</p> <p>ø13.5</p> <p>M18x0.75</p> <p>17</p> <p>开孔尺寸 nole opening size</p> <p>ø18.1</p> <p>17.1</p>															
芯数:																						
常规: 2 3 4 5 6																						
7 8 12 14 16																						
19 24																						
A:5A 7A 14A																						
 <p>非屏蔽款/Unshielded 屏蔽款/Shielded</p>	<p><b>板前安装针型插座</b> 插板式 螺牙M18*0.75 M16 Male Front Mount Socket (PCB, Screw M18*0.75)</p> <p>M16 - P 19 - GPB M18</p> <table border="1" data-bbox="523 1358 598 1433"> <tr> <td>芯数:</td> </tr> <tr> <td>常规: 2 3 4 5 6</td> </tr> <tr> <td>7 8 12 14 16</td> </tr> <tr> <td>19 24</td> </tr> <tr> <td>A:5A 7A 14A</td> </tr> </table>	芯数:	常规: 2 3 4 5 6	7 8 12 14 16	19 24	A:5A 7A 14A	 <p>ø20</p> <p>M16x0.75</p> <p>ø13.5</p> <p>M18x0.75</p> <p>17</p> <p>开孔尺寸 nole opening size</p> <p>ø18.1</p> <p>17.1</p>															
芯数:																						
常规: 2 3 4 5 6																						
7 8 12 14 16																						
19 24																						
A:5A 7A 14A																						
 <p>非屏蔽款/Unshielded 屏蔽款/Shielded</p>	<p><b>板前安装孔型插座</b> 焊线式 螺牙M18*0.75 M16 Female Front Mount Socket (Solder, Screw M18*0.75)</p> <p>M16 - S 19 - GWB M18</p> <table border="1" data-bbox="523 1627 598 1703"> <tr> <td>芯数:</td> </tr> <tr> <td>常规: 2 3 4 5 6</td> </tr> <tr> <td>7 8 12 14 16</td> </tr> <tr> <td>19 24</td> </tr> <tr> <td>A:5A 7A 14A</td> </tr> </table>	芯数:	常规: 2 3 4 5 6	7 8 12 14 16	19 24	A:5A 7A 14A	 <p>ø20</p> <p>M16x0.75</p> <p>M18x0.75</p> <p>13</p> <p>开孔尺寸 nole opening size</p> <p>ø18.1</p> <p>17.1</p>															
芯数:																						
常规: 2 3 4 5 6																						
7 8 12 14 16																						
19 24																						
A:5A 7A 14A																						
 <p>非屏蔽款/Unshielded 屏蔽款/Shielded</p>	<p><b>板前安装孔型插座</b> 插板式 螺牙M18*0.75 M16 Female Front Mount Socket (PCB, Screw M18*0.75)</p> <p>M16 - S 19 - GPB M18</p> <table border="1" data-bbox="523 1886 598 1961"> <tr> <td>芯数:</td> </tr> <tr> <td>常规: 2 3 4 5 6</td> </tr> <tr> <td>7 8 12 14 16</td> </tr> <tr> <td>19 24</td> </tr> <tr> <td>A:5A 7A 14A</td> </tr> </table>	芯数:	常规: 2 3 4 5 6	7 8 12 14 16	19 24	A:5A 7A 14A	 <p>ø20</p> <p>M16x0.75</p> <p>M18x0.75</p> <p>13</p> <p>开孔尺寸 nole opening size</p> <p>ø18.1</p> <p>17.1</p>															
芯数:																						
常规: 2 3 4 5 6																						
7 8 12 14 16																						
19 24																						
A:5A 7A 14A																						

<b>产品图</b> PRODUCT FIGURE	<b>名称/类型号</b> NAME/TYPE No.	<b>尺寸图</b> DIMENSIONS
	<p><b>板后安装针型插座</b> 焊线式 螺牙M18*0.75  <b>M16 Male Back Mount Socket (Solder, Screw M18*0.75)</b></p> <p><b>M16 - P 19 - GWF M18</b></p> <p>芯数:          常规: 2 3 4 5 6          7 8 12 14 16          19 24          A:5A 7A 14A</p>	
	<p><b>板后安装针型插座</b> 插板式 螺牙M18*0.75  <b>M16 Male Back Mount Socket (PCB, Screw M18*0.75)</b></p> <p><b>M16 - P 19 - GPF M18</b></p> <p>芯数:          常规: 2 3 4 5 6          7 8 12 14 16          19 24          A:5A 7A 14A</p>	
	<p><b>板后安装孔型插座</b> 焊线式 螺牙M18*0.75  <b>M16 Female Back Mount Socket (Solder, Screw M18*0.75)</b></p> <p><b>M16 - S 19 - GWF M18</b></p> <p>芯数:          常规: 2 3 4 5 6          7 8 12 14 16          19 24          A:5A 7A 14A</p>	
	<p><b>板后安装孔型插座</b> 插板式 螺牙M18*0.75  <b>M16 Female Back Mount Socket (PCB, Screw M18*0.75)</b></p> <p><b>M16 - S 19 - GPF M18</b></p> <p>芯数:          常规: 2 3 4 5 6          7 8 12 14 16          19 24          A:5A 7A 14A</p>	
	<p><b>方形针型插座</b> 焊线式 安装孔20x20  <b>M16 Male Square Socket (Solder type, Mount Hole 20*20)</b></p> <p><b>M16 - P 19 - GWH</b></p> <p>芯数:          常规: 2 3 4 5 6          7 8 12 14 16          19 24          A:5A 7A 14A</p>	
	<p><b>方形孔型插座</b> 焊线式 安装孔20x20  <b>M16 Female Square Socket (Solder type, Mount Hole 20*20)</b></p> <p><b>M16 - S 19 - GWH</b></p> <p>芯数:          常规: 2 3 4 5 6          7 8 12 14 16          19 24          A:5A 7A 14A</p>	

## M16·防尘盖 M16 DUST COVER

M16 塑胶防尘盖 内牙 M16 Plastic Dust Cover (Inner screw)			M16 金属防尘盖 内牙 M16 Metal Dust Cover (Inner screw)		
	环内直径 Ring inner diameter	订货号 No.		环内直径 Ring inner diameter	订货号 No.
	φ 3mm	M16P-TV5P-3		φ 3mm	M16G-TV1P-3
	φ 18mm	M16P-TV5P-18		φ 18mm	M16G-TV1P-18
M16 塑胶防尘盖 外牙 M16 Plastic Dust Cover (Outer screw)			M16 金属防尘盖 外牙 M16 Metal Dust Cover (Outer screw)		
	环内直径 Ring inner diameter	订货号 No.		环内直径 Ring inner diameter	订货号 No.
	φ 3mm	M16P-TV5S-3		φ 3mm	M16G-TV1S-3
	φ 18mm	M16P-TV5S-18		φ 18mm	M16G-TV1S-18

## M16·配件 M16 ACCESSORIES

M16 螺母扳手 M16 Nut wrench		
	半圆型/Semicircle: M16-LUZJ-002	
		圆型/Round style: M16-LUZJ-001
		片式/Slice type: P08-WR-M16001

## M16·插板式芯位图 M16 PCB PINS ARRANGEMENT

芯数 Pins	2P	3P	4P	5P	6P	7P	8P	12P
针型 Male								
	14P	16P	19P	24P	5A	7A	14A	
孔型 Female								
	14P	16P	19P	24P	5A	7A	14A	

芯数 Pins	针型 Male		额定电流 Rated current	额定电压 Rated voltage		导体规格 Conductor size		孔型 Female	
	常规编码 General coding	A型 A-code		A/C	D/C	AWG	mm <sup>2</sup>	常规编码 General coding	A型 A-code
2			7A	250V	32V	20	0.75		
3			7A	250V	32V	20	0.75		
4			6A	250V	32V	20	0.75		
5			6A	250V	32V	20	0.75		
6			5A	250V	32V	20	0.75		
7			5A	125V	32V	20	0.75		
8			5A	60V	32V	20	0.75		
12			3A	60V	32V	24	0.25		
14			3A	60V	32V	24	0.25		
16			3A	60V	32V	24	0.25		
19			3A	60V	32V	24	0.25		
24			1A	60V	32V	26	0.14		

# M23系列 M23 SERIE

产品芯数(信号): 6、7、9、12、17、19芯 (电源): 6、8芯  
Pins Number: Signal-6 7 9 12 17 19 pins; Power-6 8 pins

信号及电源型二种类型  
Two types: Signal and Power

插头: 组装式冷压式结构  
Plug: assembly, cold-pressure construction

插座: 直式、弯式冷、冷压式结构  
Socket: Straight/Angled cold-pressure construction


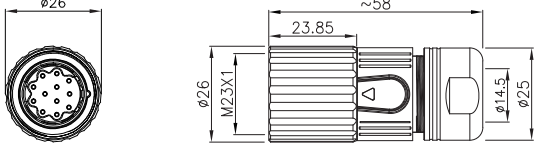

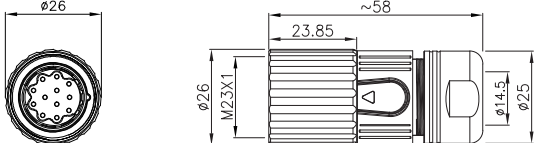

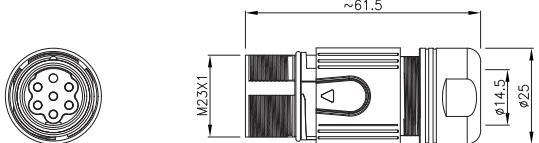

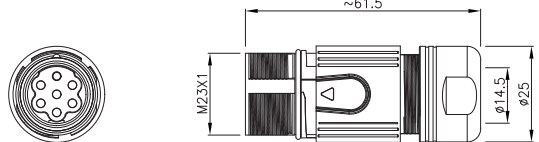

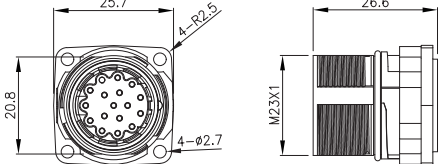

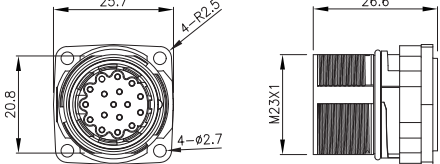

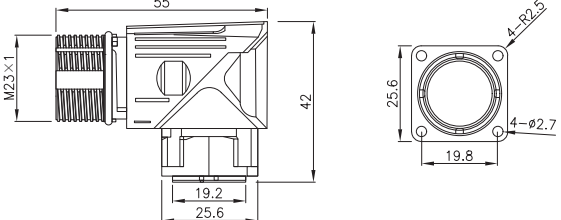
全部连接器360°全屏蔽  
All connectors are excellent for full shielding at 360 degrees


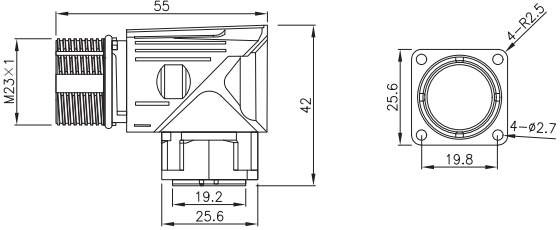

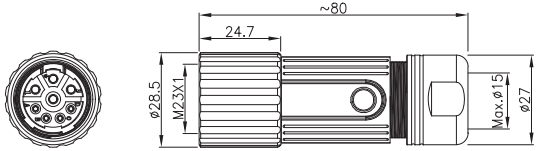

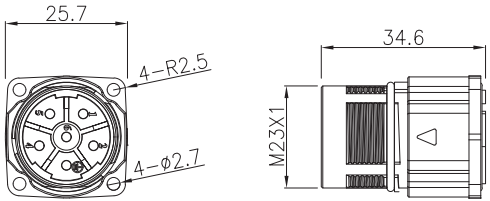

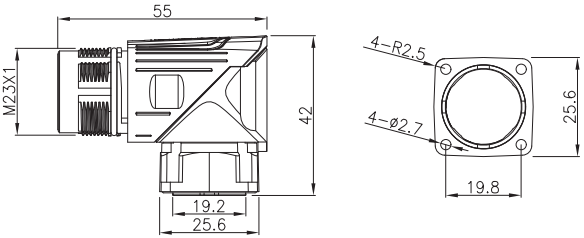

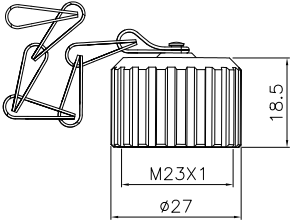
防水等级: IP67  
Waterproof grade: IP67




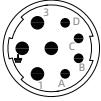

## 产品参数 PRODUCT PARAMETERS

壳体材料 Shell material	黄铜镀镍 Brass nickel plated	接触阻抗 Contact impedance	≤5mΩ
密封材料 Sealing material	环氧树脂/橡胶 Epoxy resin/Rubber	插拔次数 Durability	≥500次(Cycles)
插针材料 Contact material	黄铜/磷铜镀金 Brass/Phosphorus copper gold-plated	接线范围 Wiring range	6~10mm
胶芯材料 Insulator material	PBT/PA66	适用温度 Applicable temperature	-40°C ~ +125°C
成型材料 Molding material	TPU/PVC		

<b>产品图</b> <small>PRODUCT FIGURE</small>	<b>名称/型号</b> <small>NAME/TYPE No.</small>	<b>尺寸图</b> <small>DIMENSIONS</small>
	<p>M623信号直式孔型金属组装式插头 压接式  M623 Signal Straight Female Metal Assembled Plug (Crimp)</p> <p>M623 - S 6P - GCA 14.5</p> <p>芯数:  P:6P 7P 9P 9PP  12P 17P  E:6E 7E 9E 9PE  12E 17E</p>	
	<p>M623信号直式针型金属组装式插头 压接式  M623 Signal Straight Male Metal Assembled Plug (Crimp)</p> <p>M623 - P 6P - GCA 14.5</p> <p>芯数:  P:6P 7P 9P 9PP  12P 17P  E:6E 7E 9E 9PE  12E 17E</p>	
	<p>M623信号直式针型对接组装式插头 压接式  M623 Signal Straight Mating Male Metal Assembled Plug (Crimp)</p> <p>M623 - P 6P - GCK 14.5</p> <p>芯数:  P:6P 7P 9P 9PP  12P 17P  E:6E 7E 9E 9PE  12E 17E</p>	
	<p>M623信号直式孔型对接组装式插头 压接式  M623 Signal Straight Mating Female Metal Assembled Plug (Crimp)</p> <p>M623 - S 6P - GCK 14.5</p> <p>芯数:  P:6P 7P 9P 9PP  12P 17P  E:6E 7E 9E 9PE  12E 17E</p>	
	<p>M623信号直式孔型插座 压接式 安装孔19.8x19.8  M623 Signal Straight Female Socket (Crimp, Mount hole 19.8*19.8)</p> <p>M623 - S 6P - GCH</p> <p>芯数:  P:6P 7P 9P 9PP  12P 17P  E:6E 7E 9E 9PE  12E 17E</p>	
	<p>M623信号直式针型插座 压接式 安装孔19.8x19.8  M623 Signal Straight Male Socket (Crimp, Mount hole 19.8*19.8)</p> <p>M623 - P 6P - GCH</p> <p>芯数:  P:6P 7P 9P 9PP  12P 17P  E:6E 7E 9E 9PE  12E 17E</p>	
	<p>M623信号弯式孔型组装式插座 压接式 安装孔19.8x19.8  Angled M623 Signal Female Square Assembled Socket (Crimp, Mount hole 19.8*19.8)</p> <p>M623 - S 6P - GCL</p> <p>芯数:  P:6P 7P 9P 9PP  12P 17P  E:6E 7E 9E 9PE  12E 17E</p>	

产品图 PRODUCT FIGURE	名称/型号 NAME/TYPE No.	尺寸图 DIMENSIONS
	<p>M623信号弯式针型组装机插座 压接式 安装孔19.8x19.8 Angled M623 Signal Male Square Assembled Socket (Crimp, Mount hole 19.8*19.8)</p> <p>M623 - P 6P - GCL</p> <p>芯数: P: 6P 7P 9P 9PP 12P 17P E: 6E 7E 9E 9PE 12E 17E</p>	
	<p>M923电源直式孔型金属组装机插头 压接式 M923 Power Straight Female Metal Assembled Plug (Crimp)</p> <p>M923 - S 6 - GCA 14.5</p> <p>芯数: 6 8</p>	
	<p>M923信号直式针型插座 压接式 安装孔19.8x19.8 M923 Signal Straight Male Socket (Crimp, Mount hole 19.8*19.8)</p> <p>M923 - S 6 - GCH</p> <p>芯数: 6 8</p>	
	<p>M923电源弯式针型组装机插座 压接式 安装孔19.8x19.8 Angled M923 Power Male Square Assembled Socket (Crimp, Mount hole 19.8*19.8)</p> <p>M923 - P 6 - GCL</p> <p>芯数: 6 8</p>	
	<p>M23金属防尘盖 内螺牙 M23 Metal dust cover (inner screw)</p> <p>M23-TV1P-3</p>	

### M923·电源型电气参数 M923 POWER SUPPLY TYPE ELECTRICAL PARAMETERS

芯数 Pins	针型 Male	额定电流 Rated current	额定电压 Rated voltage		导体规格 Conductor size		孔型 Female
			A/C	D/C	AWG	mm <sup>2</sup>	
6		30A	630V	630V	14	2.5	
8		9A/20A	250V/630V	250V/630V	18/14	1/2.5	




# M623·信号型电气参数 M623 SIGNAL TYPE ELECTRICAL PARAMETERS

芯数 Pins	P型 P-code	额定电流 Rated current	额定电压 Rated voltage		导体规格 Conductor size		E型 E-code
			A/C	D/C	AWG	mm <sup>2</sup>	
6		20A	300V	300V	14	2.5	
7		20A	300V	300V	14	2.5	
9		8A	150V	150V	16	1.5	
9P(8+1)		8A/20A	300V	150V	16/14	1.5/2.5	
12		8A	150V	150V	18	1	
17		8A	150V	150V	18	1	

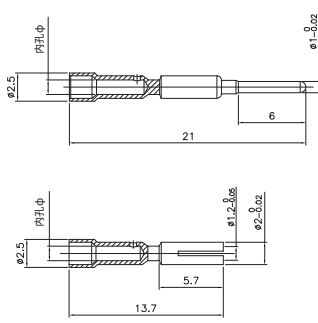
# M623·信号插针参数表 M623 SIGNAL CONTACT PINS PARAMETER TABLE

### M623 铆压插针 Riveting pressure pin

接触直径:  $\phi 1$   
Contact diameter:  $\phi 1$



材料: 铜镀金  
Material: Brass with gold plating



### M623 铆压式公针 Riveted Male Pin


线规 (Wire size)	物料编码 (Material code)	
0.08-0.5mm <sup>2</sup>	AWG 28-22	A120101-0210
0.5-1.0mm <sup>2</sup>	AWG 20-17	A120101-0127
1.0-1.5mm <sup>2</sup>	AWG 17-16	A120101-0126

### M623 铆压式母针 Riveted Female Pin

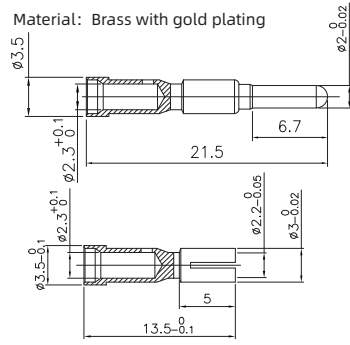
线规 (Wire size)	物料编码 (Material code)	
0.08-0.5mm <sup>2</sup>	AWG 28-22	A120102-0222
0.5-1.0mm <sup>2</sup>	AWG 20-17	A120102-0149
1.0-1.5mm <sup>2</sup>	AWG 17-16	A120102-0148

### M623 铆压插针 Riveting pressure pin

接触直径:  $\phi 2$   
Contact diameter:  $\phi 2$



材料: 铜镀金  
Material: Brass with gold plating



### M623 铆压式公针 Riveted Male Pin

线规 (Wire size)	物料编码 (Material code)	
0.75-2.5mm <sup>2</sup>	AWG 18-13	A120101-0125

### M623 铆压式母针 Riveted Female Pin

线规 (Wire size)	物料编码 (Material code)	
0.75-2.5mm <sup>2</sup>	AWG 18-13	A120102-0147

## M923·电源插针参数表 M923 POWER CONTACT PINS PARAMETER TABLE

**M923 铆压插针 Riveting pressure pin**

接触直径:  $\phi 1$   
Contact diameter:  $\phi 1$

材料: 铜镀金  
Material: Brass with gold plating

**M923 铆压式公针 Riveted Male Pin**

线规 (Wire size)	物料编码 (Material code)
0.25-1.0mm <sup>2</sup> AWG 23-17	A120101-0235

**M923 铆压式母针 Riveted Female Pin**

线规 (Wire size)	物料编码 (Material code)
0.25-1.0mm <sup>2</sup> AWG 23-17	A120102-0238

**M923 铆压插针 Riveting pressure pin**

接触直径:  $\phi 2$   
Contact diameter:  $\phi 2$

材料: 铜镀金  
Material: Brass with gold plating

**M923 铆压式公针 Riveted Male Pin**

线规 (Wire size)	物料编码 (Material code)
1.0-2.5mm <sup>2</sup> AWG 18-13	A120101-0236
2.5-4.0mm <sup>2</sup> AWG 13-12	-

**M923 铆压式母针 Riveted Female Pin**

线规 (Wire size)	物料编码 (Material code)
1.0-2.5mm <sup>2</sup> AWG 18-13	A120102-0239
2.5-4.0mm <sup>2</sup> AWG 13-12	-

## M23·接线定义 M23 WIRE DEFINITION

芯位 Pins	线芯颜色 Wire core color	导体规格 Conductor size
6芯(Pins)		
1	BK U	1.5mm <sup>2</sup>
2	BN V	1.5mm <sup>2</sup>
3	GNYE	1.5mm <sup>2</sup>
4	BK	1.5mm <sup>2</sup>
5	WH	1.5mm <sup>2</sup>
6	BN K	1.5mm <sup>2</sup>

芯位 Pins	线芯颜色 Wire core color	导体规格 Conductor size
8芯(Pins)		
1	BK 1	1.5mm <sup>2</sup>
PE	GNYE	1.5mm <sup>2</sup>
3	BK 2	1.5mm <sup>2</sup>
4	BK 3	1.5mm <sup>2</sup>
A	BK 5	0.75mm <sup>2</sup>
B	BK 6	0.75mm <sup>2</sup>
C	BK 7	0.75mm <sup>2</sup>
D	BK 8	0.75mm <sup>2</sup>

芯位 Pins	线芯颜色 Wire core color	导体规格 Conductor size
12芯(Pins)		
1	PK	0.25mm <sup>2</sup>
2	RD	0.25mm <sup>2</sup>
3	BK	0.25mm <sup>2</sup>
4	BU	0.25mm <sup>2</sup>
5	BN	0.25mm <sup>2</sup>
6	GN	0.25mm <sup>2</sup>
7	VT	0.25mm <sup>2</sup>
8	GY	0.25mm <sup>2</sup>
9	外部护套	(Outer sheath)
10	WH	0.5mm <sup>2</sup>
11	NC	
12	BN	0.5mm <sup>2</sup>

芯位 Pins	线芯颜色 Wire core color	导体规格 Conductor size
17芯(Pins)		
1	YE	0.14mm <sup>2</sup>
2	GN	0.14mm <sup>2</sup>
3	RD	0.14mm <sup>2</sup>
4	NC	
5	BU	0.14mm <sup>2</sup>
6	NC	
7	BNBU	0.5mm <sup>2</sup>
8	GNBK	0.22mm <sup>2</sup>
9	GNRD	0.22mm <sup>2</sup>
10	BNRD	0.5mm <sup>2</sup>
11	BK	0.14mm <sup>2</sup>
12	BN	0.14mm <sup>2</sup>
13	OG	0.14mm <sup>2</sup>
14	WHBK	0.14mm <sup>2</sup>
15	BNGY	0.22mm <sup>2</sup>
16	BNYE	0.22mm <sup>2</sup>
17	内部护套	(Inner sheath)

\*接线定义按常规标准, 如按协议或者其他请联系我司业务。

Wiring definition according to conventional standards, if according to the agreement or other please contact our sales.

# 7/8系列 7/8 SERIE

产品符合IEC 61076-2-101 工业4.0协议, NEMA2000标准  
Products comply with IEC 61076-2-101 Industry 4.0 Agreement NEMA2000 standard

插头: 组装式, 注塑带电缆式 (长度可任意定制)  
Plug: assembly, Overmolded cable type (length can be customized at will)

插座: 板前安装、板后安装焊线及PCB板式  
Socket: Front Mount Solder Type, Back Mount Solder Type and PCB board type

主要用于电源连接器  
Mainly used in power connectors




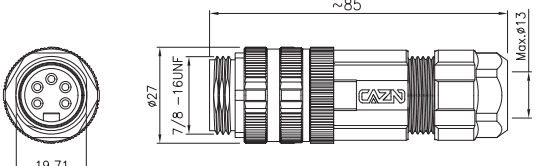

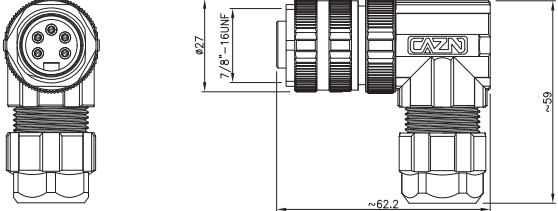

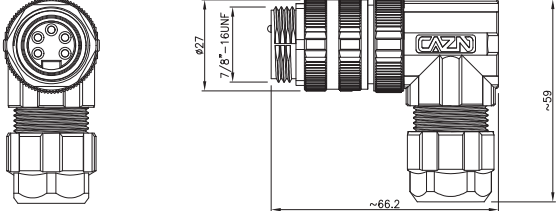

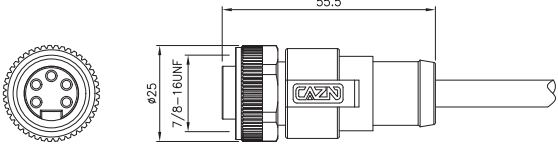

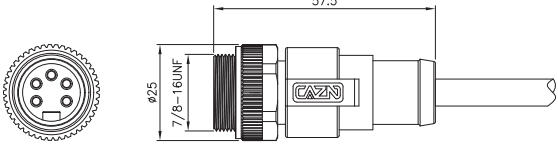

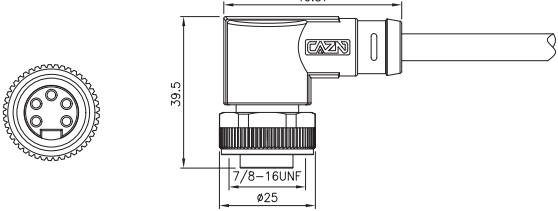
产品芯数: 3~6芯  
Pins Number: 3-6 pins


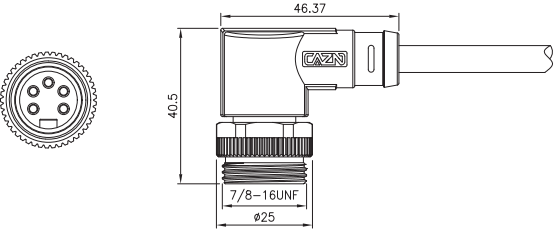
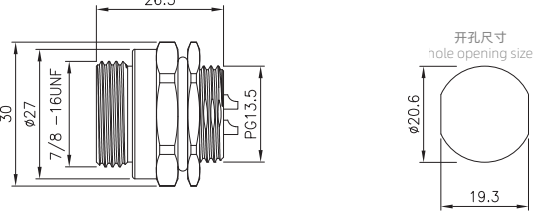

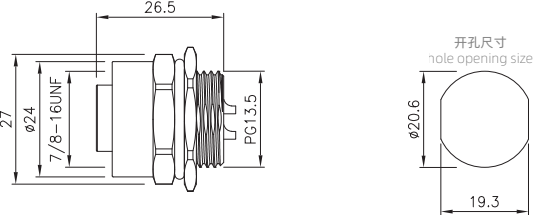

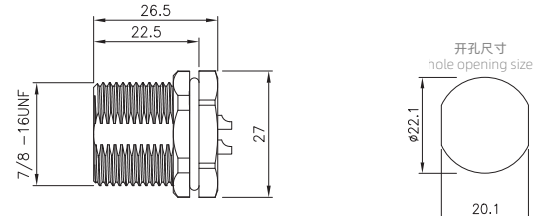


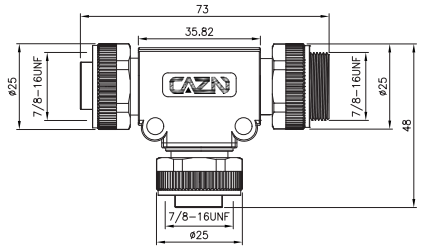

防水等级: IP65、IP67  
Waterproof grade: Ip65、IP67




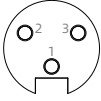
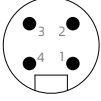
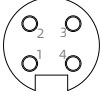

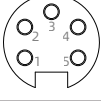
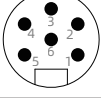
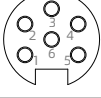
## 产品参数 PRODUCT PARAMETERS

壳体材料 Shell material	黄铜镀镍/锌合金度镍/PA+GF Brass nickel-plated/Zinc alloy nickel-plated/PA-GF	接触阻抗 Contact impedance	≤5mΩ
密封材料 Sealing material	环氧树脂/橡胶 Epoxy resin/Rubber	插拔次数 Durability	≥500次(Cycles)
插针材料 Contact material	黄铜/磷铜镀金 Brass/Phosphorus copper gold-plated	绝缘阻抗 Insulation impedance	≥100mΩ
胶芯材料 Insulator material	PA+GF/TPU	适用温度 Applicable temperature	-25°C ~ +80°C
成型材料 Molding material	TPU/PVC		




产品图 PRODUCT FIGURE	名称/类型号 NAME/TYPE No.	尺寸图 DIMENSIONS
	<p>7/8直式孔型塑胶组装式插头 螺钉式 7/8 Straight Female Plastic Assembled Plug (Screw)</p> <p>7/8 - S 6 - PLA P13.5</p> <p>芯数: 3 4 5 6      出线: P13.5; PG13.5 P9: PG9(搭配)</p>	 <p>~80 Max. <math>\phi</math> 13 7/8 - 16UNF <math>\phi</math> 27</p>
	<p>7/8直式针型塑胶组装式插头 螺钉式 7/8 Straight Male Plastic Assembled Plug (Screw)</p> <p>7/8 - P 6 - PLA P13.5</p> <p>芯数: 3 4 5 6      出线: P13.5; PG13.5 P9: PG9(搭配)</p>	 <p>~85 Max. <math>\phi</math> 13 7/8 - 16UNF <math>\phi</math> 27 19.71</p>
	<p>7/8弯式孔型塑胶组装式插头 螺钉式 7/8 Angled Female Plastic Assembled Plug (Screw)</p> <p>7/8 - S 6 - PLD P13.5</p> <p>芯数: 3 4 5 6      出线: P13.5; PG13.5 P9: PG9(搭配)</p>	 <p>~80 ~59 ~52.2 7/8 - 16UNF <math>\phi</math> 27</p>
	<p>7/8弯式针型塑胶组装式插头 螺钉式 7/8 Angled Male Plastic Assembled Plug (Screw)</p> <p>7/8 - P 6 - PLD P13.5</p> <p>芯数: 3 4 5 6      出线: P13.5; PG13.5 P9: PG9(搭配)</p>	 <p>~85 ~59 ~66.2 7/8 - 16UNF <math>\phi</math> 27</p>
<p>非屏蔽款/Unshielded 屏蔽款/Shielded</p> 	<p>7/8直式孔型成型插头 7/8 Straight Female Overmolded Plug</p> <p>7/8 - S 6 - MWA - 1 PV - S</p> <p>芯数: 3 4 5 6      线长(M): 1:1M      线材: PV:PVC      S:屏蔽 2.5:2.5M      PU:PU      空:非屏蔽 .....      TF:铁氟龙      PE:PE</p>	 <p>55.5 7/8 - 16UNF <math>\phi</math> 25</p>
<p>非屏蔽款/Unshielded 屏蔽款/Shielded</p> 	<p>7/8直式针型成型插头 7/8 Straight Male Overmolded Plug</p> <p>7/8 - P 6 - MWA - 1 PV - S</p> <p>芯数: 3 4 5 6      线长(M): 1:1M      线材: PV:PVC      S:屏蔽 2.5:2.5M      PU:PU      空:非屏蔽 .....      TF:铁氟龙      PE:PE</p>	 <p>57.5 7/8 - 16UNF <math>\phi</math> 25</p>
<p>非屏蔽款/Unshielded 屏蔽款/Shielded</p> 	<p>7/8弯式孔型成型插头 7/8 Angled Female Overmolded Plug</p> <p>7/8 - S 6 - MWD - 1 PV - S</p> <p>芯数: 3 4 5 6      线长(M): 1:1M      线材: PV:PVC      S:屏蔽 2.5:2.5M      PU:PU      空:非屏蔽 .....      TF:铁氟龙      PE:PE</p>	 <p>46.37 39.5 7/8 - 16UNF <math>\phi</math> 25</p>





<b>产品图</b> PRODUCT FIGURE	<b>名称/类型号</b> NAME/TYPE NO.	<b>尺寸图</b> DIMENSIONS				
 <p>非屏蔽款/Unshielded 屏蔽款/Shielded</p>	<p><b>7/8弯式针型成型插头</b> 7/8 Angled Male Overmolded Plug</p> <p>7/8 - P 6 - MWD - 1 PV - S</p> <table border="1" data-bbox="526 312 742 383"> <tr> <td>芯数: 3 4 5 6</td> <td>线长(M): 1.1M 2.5; 2.5M .....</td> <td>线材: PV/PVC PU/PU TF: 铁氟龙 PE: PE</td> <td>S:屏蔽 空:非屏蔽</td> </tr> </table>	芯数: 3 4 5 6	线长(M): 1.1M 2.5; 2.5M .....	线材: PV/PVC PU/PU TF: 铁氟龙 PE: PE	S:屏蔽 空:非屏蔽	
芯数: 3 4 5 6	线长(M): 1.1M 2.5; 2.5M .....	线材: PV/PVC PU/PU TF: 铁氟龙 PE: PE	S:屏蔽 空:非屏蔽			
	<p><b>7/8板前安装针型插座</b> 焊线式 螺母PG13.5 7/8 Male Front Mount Socket (Solder, Screw PG13.5)</p> <p>7/8 - P 6 - GWB P13.5</p> <table border="1" data-bbox="526 571 574 614"> <tr> <td>芯数: 3 4 5 6</td> </tr> </table>	芯数: 3 4 5 6				
芯数: 3 4 5 6						
	<p><b>7/8板前安装孔型插座</b> 焊线式 螺母PG13.5 7/8 Female Front Mount Socket (Solder, Screw PG13.5)</p> <p>7/8 - S 6 - GWB P13.5</p> <table border="1" data-bbox="526 830 574 873"> <tr> <td>芯数: 3 4 5 6</td> </tr> </table>	芯数: 3 4 5 6				
芯数: 3 4 5 6						
	<p><b>7/8板后安装针型插座</b> 焊线式 螺母7/8-16UHF 7/8 Male Back Mount Socket (Solder, Screw 7/8-16UHF)</p> <p>7/8 - P 6 - GWF 7/8</p> <table border="1" data-bbox="526 1099 574 1142"> <tr> <td>芯数: 3 4 5 6</td> </tr> </table>	芯数: 3 4 5 6				
芯数: 3 4 5 6						
	<p><b>7/8板后安装孔型插座</b> 焊线式 螺母M26x1.5 7/8 Female Back Mount Socket (Solder, Screw M26*1.5)</p> <p>7/8 - S 6 - GWF M26</p> <table border="1" data-bbox="526 1358 574 1401"> <tr> <td>芯数: 3 4 5 6</td> </tr> </table>	芯数: 3 4 5 6				
芯数: 3 4 5 6						
	<p><b>7/8 T型插头</b> 7/8-7/8 PSS型 7/8 T-Type Adapter (7/8-7/8, PSS)</p> <p>7/8 - T - P 6 / S 6 x2</p> <table border="1" data-bbox="550 1627 598 1670"> <tr> <td>芯数: 3 4 5 6</td> </tr> </table>	芯数: 3 4 5 6				
芯数: 3 4 5 6						
	<p><b>7/8 T型插头</b> 7/8-M12 PSS型 7/8 T-Type Adapter (7/8-M12, PSS)</p> <p>7/8 - T - P 5 / S 5 / M12 - S 5 A</p> <table border="1" data-bbox="550 1886 598 1929"> <tr> <td>芯数: 3 4 5</td> </tr> </table>	芯数: 3 4 5				
芯数: 3 4 5						






## 7/8·电气参数 7/8 ELECTRICAL PARAMETERS

芯数 Pins	针型 Male	额定电流 Rated current	额定电压 Rated voltage		导体规格 Conductor size		孔型 Female
			A/C	D/C	AWG	mm <sup>2</sup>	
3		13A	300V	300V	18	1	
4		9A	300V	300V	18	1	
5		9A	300V	300V	20	0.5	
6		9A	300V	300V	20	0.5	

## 7/8·接线定义 7/8 WIRE DEFINITION

芯位 Pins	线芯颜色 Wire core color	
	3芯(Pins)	
1	BK	
2	BN	
3	BU	

芯位 Pins	线芯颜色 Wire core color	
	4芯(Pins)	
1	BK	
2	BU	
3	BN	
4	WH	

芯位 Pins	线芯颜色 Wire core color	
	5芯(Pins)	
1	BK	
2	BU	
3	GNYE	
4	BN	
5	WH	

\*接线定义按常规标准，如按协议或者其他请联系我司业务。

Wiring definition according to conventional standards, if according to the agreement or other please contact our sales.

CAZN 正成  
工业连接技术专家



欧标连接器  
M SERIE CONNECTOR

CAZN 正成  
工业连接技术专家



塑胶防水连接器  
PLASTIC WATERPROOF CONNECTOR

CAZN 正成  
工业连接技术专家



推拉自锁系列  
PUSH-PULL SELF-LOCKING SERIES

CAZN 正成  
工业连接技术专家



重载连接器  
HWAVY DUTY CONNECTORS

CAZN 正成  
工业连接技术专家



美标连接器  
AMERICAN STANDARD CONNECTOR

CAZN 正成  
工业连接技术专家



射频连接产品目录  
RF CONNECTION PRODUCT CATALOG

## 面向全球客户和合作伙伴

正成电气是立足中国面向全球的连接器品牌。本公司为电气工程、电子和自动化领域提供以未来为导向的连接解决方案。我们在全国多个地区拥有大量优秀的员工，能够为客户提供最及时有效的服务。

我们以“至高品质，至诚服务”的理念，为客户提供适用于不同行业和应用的产品和解决方案，如新能源、基础设施、过程和工厂自动化等领域。



### 深圳市正成电气有限公司

地址：深圳市龙华区大浪街道华霆路381号龙达工业园C栋5楼  
惠州市惠城区仲凯高新区沥林镇山陂村仲凯中集智谷产业园31栋  
电话：0755 - 2900 5959  
传真：0755 - 2900 5530  
邮箱：sales@caznlink.com

如需全面了解所有产品的详情，请访问公司网站：<http://www.caznlink.com>

